

# Compressed-air connection plate GP 4 SCPS 07..15 G2

Part no.: 10.02.02.04338

<https://www.schmalz.com/10.02.02.04338>



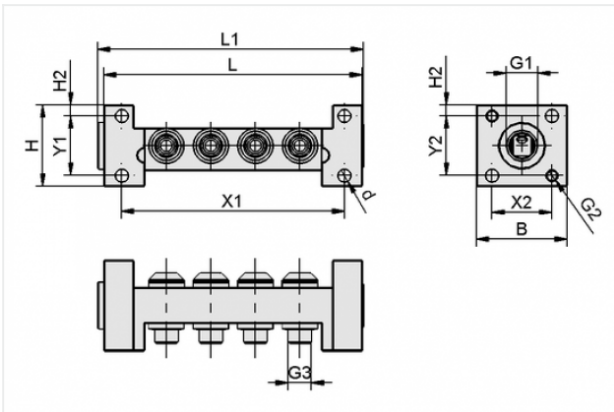
Homepage > Vacuum Technology for Automation > Vacuum Components > Vacuum Generators > Compact Ejectors > GP 4 SCPS 07..15 G2

## Compressed-air distributor for use as a manifold and for building ejector blocks



Number of connections: 4  
 Length L: 108 mm  
 Width B: 38 mm  
 Height H: 34 mm  
 for: Ejector SCPS 07..15 G2

### Design Data



Attribute	Value
B	38 mm
d	5.5 mm
G1	G1/4"-F
G2	M5-F
G3	G1/8"-M
H	34 mm
H2	4.5 mm
L	108 mm
L1	111 mm
X1	93 mm
X2	25 mm
Y1	25 mm
Y2	25 mm

### Contact to Schmalz

J. Schmalz GmbH | Johannes-Schmalz-Straße, 72293 Glatten, Deutschland | +49 7443 2403-102 | [customercenter@schmalz.de](mailto:customercenter@schmalz.de)

---

## Technical Data

Attribute	Value
Number of connections	4
Weight	200.3 g

---

---