

# Top-hat rail clamp comp.

HUT-SN-KL 70x18x8

Part no.: 10.02.02.04149

<https://www.schmalz.com/10.02.02.04149>



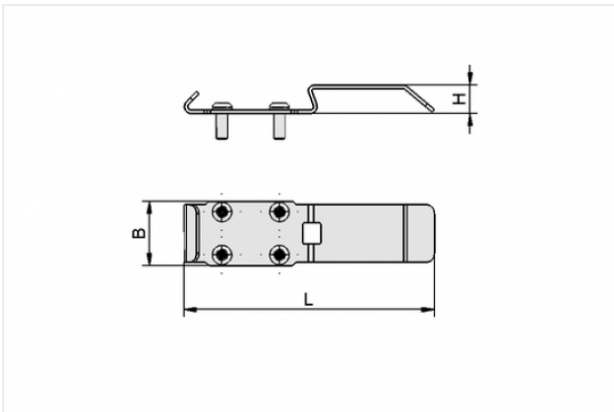
Homepage > Vacuum Technology for Automation > Vacuum Components > Vacuum Generators > Compact Ejectors > HUT-SN-KL 70x18x8

## Top-hat rail clamp comp.



Length L: 70 mm  
Width B: 18 mm  
Height H: 8 mm  
Section type: EN 50022

## Design Data



Attribute	Value
-----------	-------

B	18 mm
---	-------

H	8 mm
---	------

L	70 mm
---	-------

## Technical Data

Attribute	Value
Material	Spring steel X12 CrNi
Weight	13.2 g

### Contact to Schmalz

J. Schmalz GmbH | Johannes-Schmalz-Straße, 72293 Glatten, Deutschland | +49 7443 2403-102 | [customercenter@schmalz.de](mailto:customercenter@schmalz.de)

