

# Mini compact ejector SCPM 07 NC A VS-T

<https://www.schmalz.com/10.02.02.02500>



Part no.: 10.02.02.02500

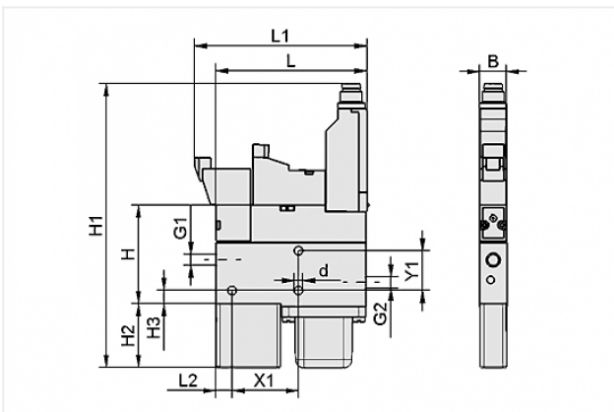
Homepage > Vacuum Technology for Automation > Vacuum Components > Vacuum Generators > Compact Ejectors > Compact Ejectors SCPM > SCPM 07 NC A VS-T

## Mini-pump, compact ejector with minimum size



Nozzle size: 0,7 mm  
 Suction rate (max): 12 l/min  
 Air consumption (during evac.):  
 21 l/min  
 Control: Normally closed  
 Shape: Blow-off function  
 with: electronic vacuum switch

## Design Data



Attribute	Value
B	10.2 mm
d	3.2 mm
G1	M5-F
G2	M5-F
H	37.2 mm
H1	106.8 mm
H2	24 mm
H3	5 mm
L	56.5 mm
L1	64.5 mm
L2	6 mm
X1	25 mm
Y1	15 mm

### Contact to Schmalz

J. Schmalz GmbH | Johannes-Schmalz-Straße, 72293 Glatten, Deutschland | +49 7443 2403-102 | [customercenter@schmalz.de](mailto:customercenter@schmalz.de)

## Technical Data

Attribute	Value
Nozzle diameter	0.7 mm
Degree of evacuation	85 %
Suction rate (max)	12 l/min
Suction rate (max)	0.7 m <sup>3</sup> /h
Air consumption (during evac.)	21 l/min
Air consumption (during evac.)	1.3 m <sup>3</sup> /h
Air consumption (blow off) (max)	26 l/min
Air consumption (blow off)	1.6 m <sup>3</sup> /h
Noise level (workp. gripped)	67 dB
Noise level (free)	70 dB
Pressure range (operating pressure)	2.0 ... 6.0 bar
Pressure optimal	4.5 bar
Int. hose diameter (recom.) comp.-air	2 mm
Int. hose diameter (recom.) vacuum side	2 mm
Control	Normally closed
Weight	90 g
Ambient temperature	0 ... 45 °C
Suction rate (max)	0.423 cfm
Air consumption (during evac.)	0.741 cfm
Air consumption (blow off)	0.941 cfm
Pressure range (operating pressure)	29.0 ... 87.0 psi
Pressure optimal	65.2 psi
Product family	SCPM

### Contact to Schmalz

**Note:**

- The supply voltage for vacuum switches and solenoid valves is 24V DC
- Air consumption: At optimal operating pressure
- Hose diameter: For max. length 2 m

**Spare Parts****SD 24x9.7x20 SCPM**

Part no. 10.02.02.01029

Silencer for vacuum generators

Length L: 24 mm

Width B: 9.7 mm

Height H: 20 mm

for: Compact ejectors SCP

**FILT-EINS 21.7 14.5 1.6 1 SCPM**

Part no. 10.02.02.01037

Filter für compact ejector SMP

Length L: 21.7 mm

Width B: 14.5 mm

Height H: 1.6 mm

Quantity: 1

for: Compact ejectors SCP

**Accessories****Contact to Schmalz**



**ASK B-MIC10 3000 K-2P**

Part no. 21.04.06.00086

Connection cable

Interface Connection cable:

Connect. 10mm

Cable length: 3000 mm

Interface Connection cable: Cable 2

Material: PUR-Cable



**ASK B-M8-4 5000 K-4P**

Part no. 10.06.02.00031

Connection cable

Interface Connection cable:

Fem connect M8, 4 pol

Cable length: 5000 mm

Interface Connection cable: Cable 4

Material: PUR-Cable



**ASK WB-M8-4 5000 K-4P**

Part no. 10.06.02.00032

Connection cable

Interface Connection cable:

Elbow fem con M8, 4 pol

Cable length: 5000 mm

Interface Connection cable: Cable 4

Material: PUR-Cable