

Basic Ejector

SEM 300 SDA

Part no.: 10.02.01.00432

<https://www.schmalz.com/10.02.01.00432>



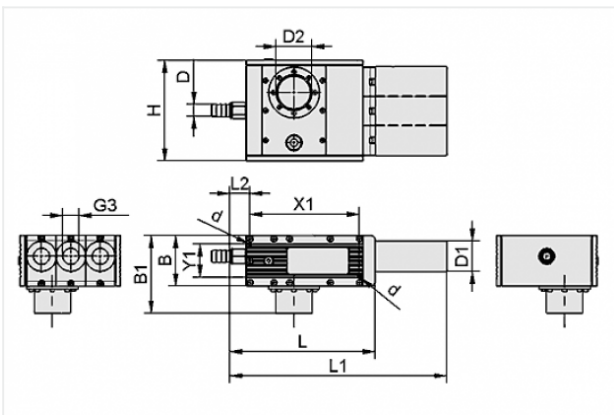
Homepage > Vacuum Technology for Automation > Vacuum Components > Vacuum Generators > Basic Ejectors > Basic Ejectors SEM > SEM 300 SDA

Basic ejector with maximum suction capacity



with: Axial silencer
 Suction rate (max): 2370 l/min
 Air consumption (during evac.):
 935 l/min

Design Data



Attribute	Value
B	85 mm
B1	130 mm
d	5.5 mm
D1	50 mm
G1	G1/2"-F
G3	G3/4"-F
H	168 mm
L	242.5 mm
L1	362.5 mm
L2	33.5 mm
X1	183 mm
Y1	55 mm

Contact to Schmalz

J. Schmalz GmbH | Johannes-Schmalz-Straße, 72293 Glatten, Deutschland | +49 7443 2403-102 | customercenter@schmalz.de

Technical Data

Attribute	Value
Size	300
Degree of evacuation	85 %
Suction rate (max)	142.2 m ³ /h
Suction rate (max)	2370 l/min
Air consumption (during evac.)	56.1 m ³ /h
Air consumption (during evac.)	935 l/min
Noise level (free)	82 dB
Noise level (workp. gripped)	62 dB
Pressure optimal	5 bar
Int. hose diameter (recom.) comp.-air	19 mm
Int. hose diameter (recom.) vacuum side	60 mm
Weight	5.7 kg
Ambient temperature	0 ... 50 °C

Note:

- Air consumption: At optimal operating pressure
- Hose diameter: For max. length 2 m