

Basic Ejector

SEM 150 SDS

<https://www.schmalz.com/10.02.01.00489>



Part no.: 10.02.01.00489

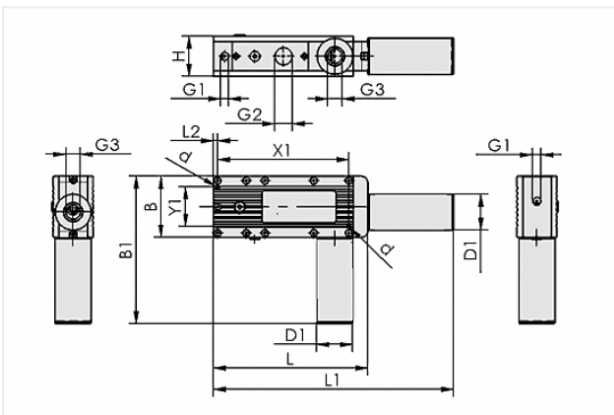
Homepage > Vacuum Technology for Automation > Vacuum Components > Vacuum Generators > Basic Ejectors > Basic Ejectors SEM > SEM 150 SDS

Basic ejector with maximum suction capacity



with: Side-mounted silencer
 Suction rate (max): 1190 l/min
 Air consumption (during evac.):
 590 l/min

Design Data



Attribute	Value
B	85 mm
B1	205 mm
d	5.5 mm
D1	50 mm
G1	G1/4"-F
G2	G1"-F
G3	M42x1.5-F
H	68 mm
L	195 mm
L2	6 mm
X1	183 mm
Y1	55 mm

Contact to Schmalz

J. Schmalz GmbH | Johannes-Schmalz-Straße, 72293 Glatten, Deutschland | +49 7443 2403-102 | customercenter@schmalz.de

Technical Data

Attribute	Value
Size	150
Degree of evacuation	85 %
Suction rate (max)	71.4 m ³ /h
Suction rate (max)	1190 l/min
Air consumption (during evac.)	35.4 m ³ /h
Air consumption (during evac.)	590 l/min
Noise level (free)	80 dB
Noise level (workp. gripped)	71 dB
Pressure optimal	5 bar
Int. hose diameter (recom.) comp.-air	9 mm
Int. hose diameter (recom.) vacuum side	32 mm
Weight	1.8 kg
Ambient temperature	0 ... 50 °C

Note:

- Air consumption: At optimal operating pressure
- Hose diameter: For max. length 2 m

Spare Parts



SD M42x1.5-AG 50x120 SEM 150

Part no. 10.02.01.00491
 Silencer for vacuum generators
 Thread G1: M42x1.5-M
 External diameter D: 50 mm
 Length L: 120 mm
 for: Multi-stage ejectors
 Size: 150

Contact to Schmalz

Accessories



VS-V-PNP

Part no. 10.06.02.00191

Vacuum/pressure switch with digital and analogue output signal

Measuring range: -1.0 ... 0.0 bar

Type: Switches to plus



VS-V-W-D-PNP

Part no. 10.06.02.00192

Vacuum/pressure switch in cube shape with display and digital output signals

Shape: Cube, digital display

Type: Switches to plus



VAM 40 V DR

Part no. 10.07.02.00035

Vacuum gauge (manometer) for analogue measurement and monitoring of the vacuum

External diameter D: 40 mm

Measuring range: -1.00 ... 0.00 bar

Shape: With sealing ring

Vacuum connection: G1/8"-M