

Basic Ejector

SEM 150

<https://www.schmalz.com/10.02.01.00483>



Part no.: 10.02.01.00483

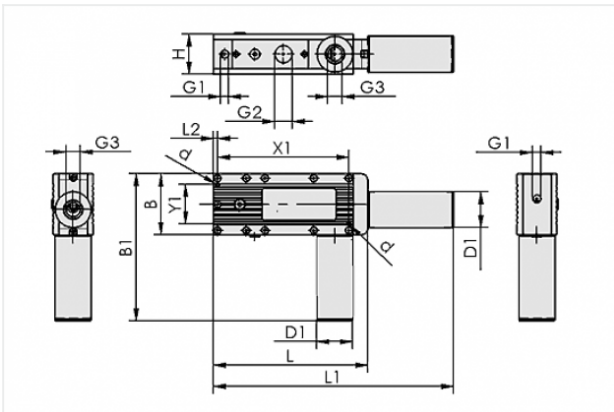
Homepage > Vacuum Technology for Automation > Vacuum Components > Vacuum Generators > Basic Ejectors > Basic Ejectors SEM > SEM 150

Basic ejector with maximum suction capacity



Suction rate (max): 1400 l/min
 Air consumption (during evac.):
 590 l/min

Design Data



| Attribute | Value |
|-----------|-----------|
| B | 85 mm |
| d | 5.5 mm |
| G1 | G1/4"-F |
| G2 | G1"-F |
| G3 | M42x1.5-F |
| H | 68 mm |
| L | 195 mm |
| L2 | 6 mm |
| X1 | 183 mm |
| Y1 | 55 mm |

Contact to Schmalz

J. Schmalz GmbH | Johannes-Schmalz-Straße, 72293 Glatten, Deutschland | +49 7443 2403-102 | customercenter@schmalz.de

Technical Data

| Attribute | Value |
|---|------------------------|
| Size | 150 |
| Degree of evacuation | 85 % |
| Suction rate (max) | 84 m ³ /h |
| Suction rate (max) | 1400 l/min |
| Air consumption (during evac.) | 35.4 m ³ /h |
| Air consumption (during evac.) | 590 l/min |
| Noise level (free) | 95 dB |
| Noise level (workp. gripped) | 79 dB |
| Pressure optimal | 5 bar |
| Int. hose diameter (recom.) comp.-air | 9 mm |
| Int. hose diameter (recom.) vacuum side | 32 mm |
| Weight | 1.7 kg |
| Ambient temperature | 0 ... 50 °C |

Note:

- Air consumption: At optimal operating pressure
- Hose diameter: For max. length 2 m

Accessories

Contact to Schmalz



VS-V-PNP

Part no. 10.06.02.00191

Vacuum/pressure switch with digital and analogue output signal

Measuring range: -1.0 ... 0.0 bar

Type: Switches to plus



VS-V-W-D-PNP

Part no. 10.06.02.00192

Vacuum/pressure switch in cube shape with display and digital output signals

Shape: Cube, digital display

Type: Switches to plus



VAM 40 V DR

Part no. 10.07.02.00035

Vacuum gauge (manometer) for analogue measurement and monitoring of the vacuum

External diameter D: 40 mm

Measuring range: -1.00 ... 0.00 bar

Shape: With sealing ring

Vacuum connection: G1/8"-M