

Basic Ejector

SEM 100 SDA

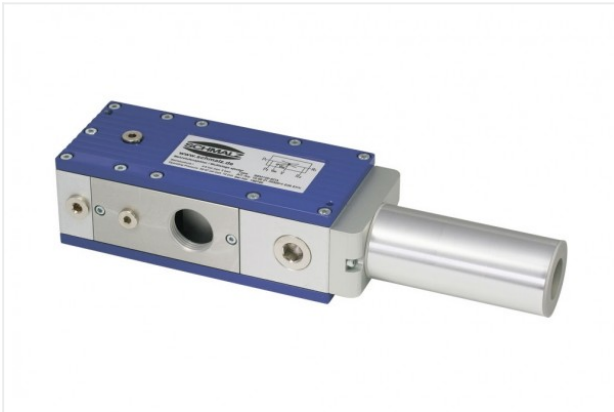
<https://www.schmalz.com/10.02.01.00320>



Part no.: 10.02.01.00320

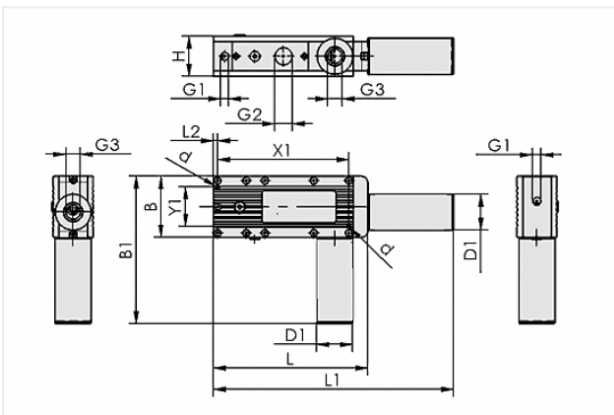
Homepage > Vacuum Technology for Automation > Vacuum Components > Vacuum Generators > Basic Ejectors > Basic Ejectors SEM > SEM 100 SDA

Basic ejector with maximum suction capacity



with: Axial silencer
 Suction rate (max): 976 l/min
 Air consumption (during evac.):
 376 l/min

Design Data



Attribute	Value
B	85 mm
d	5.5 mm
D1	50 mm
G1	G1/4"-F
G2	G1"-F
G3	G3/4"-F
H	68 mm
L	215 mm
L1	335 mm
L2	6 mm
X1	183 mm
Y1	55 mm

Contact to Schmalz

J. Schmalz GmbH | Johannes-Schmalz-Straße, 72293 Glatten, Deutschland | +49 7443 2403-102 | customercenter@schmalz.de

Technical Data

Attribute	Value
Size	100
Degree of evacuation	85 %
Suction rate (max)	58.6 m ³ /h
Suction rate (max)	976 l/min
Air consumption (during evac.)	22.6 m ³ /h
Air consumption (during evac.)	376 l/min
Noise level (free)	81 dB
Noise level (workp. gripped)	60 dB
Pressure optimal	5 bar
Int. hose diameter (recom.) comp.-air	9 mm
Int. hose diameter (recom.) vacuum side	32 mm
Weight	1.7 kg
Ambient temperature	0 ... 50 °C

Note:

- Air consumption: At optimal operating pressure
- Hose diameter: For max. length 2 m

Spare Parts



SD G3/4-AG 50x120 SEM

Part no. 10.02.01.00312
 Silencer for vacuum generators
 Thread 1: G3/4-M
 External diameter: 50 mm
 Length: 120 mm
 for: Multi-stage ejectors

Contact to Schmalz

Accessories



VS-V-PNP

Part no. 10.06.02.00191

Vacuum/pressure switch with digital and analogue output signal

Measuring range: -1.0 ... 0.0 bar

Type: Switches to plus



VS-V-W-D-PNP

Part no. 10.06.02.00192

Vacuum/pressure switch in cube shape with display and digital output signals

Shape: Cube, digital display

Type: Switches to plus



VAM 40 V DR

Part no. 10.07.02.00035

Vacuum gauge (manometer) for analogue measurement and monitoring of the vacuum

External diameter D: 40 mm

Measuring range: -1.00 ... 0.00 bar

Shape: With sealing ring

Vacuum connection: G1/8"-M