

Basic Ejector

SEM 25

<https://www.schmalz.com/10.02.01.00313>



Part no.: 10.02.01.00313

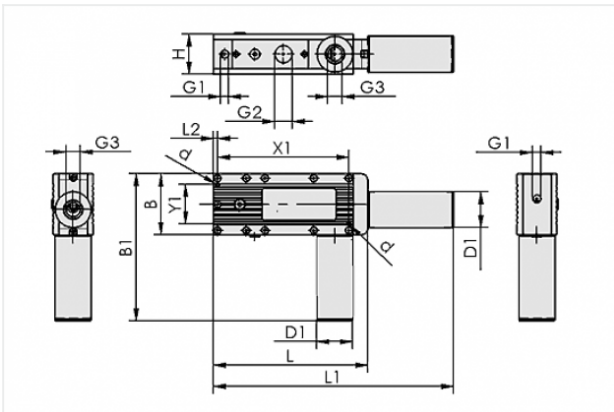
Homepage > Vacuum Technology for Automation > Vacuum Components > Vacuum Generators > Basic Ejectors > Basic Ejectors SEM > SEM 25

Basic ejector with maximum suction capacity



Suction rate (max): 402 l/min
Air consumption (during evac.):
101 l/min

Design Data



Attribute	Value
B	85 mm
d	5.5 mm
G1	G1/4\"-F
G2	G1/2\"-F
G3	G1/2\"-F
H	48 mm
L	195 mm
L2	6 mm
X1	183 mm
Y1	55 mm

Contact to Schmalz

J. Schmalz GmbH | Johannes-Schmalz-Straße, 72293 Glatten, Deutschland | +49 7443 2403-102 | customercenter@schmalz.de

Technical Data

Attribute	Value
Size	25
Degree of evacuation	85 %
Suction rate (max)	24.1 m ³ /h
Suction rate (max)	402 l/min
Air consumption (during evac.)	6.1 m ³ /h
Air consumption (during evac.)	101 l/min
Noise level (free)	90 dB
Noise level (workp. gripped)	72 dB
Pressure optimal	5 bar
Int. hose diameter (recom.) comp.-air	4 mm
Int. hose diameter (recom.) vacuum side	20 mm
Weight	1 kg
Ambient temperature	0 ... 50 °C

Note:

- Air consumption: At optimal operating pressure
- Hose diameter: For max. length 2 m

Accessories

Contact to Schmalz



VS-V-PNP

Part no. 10.06.02.00191

Vacuum/pressure switch with digital and analogue output signal

Measuring range: -1.0 ... 0.0 bar

Type: Switches to plus



VS-V-W-D-PNP

Part no. 10.06.02.00192

Vacuum/pressure switch in cube shape with display and digital output signals

Shape: Cube, digital display

Type: Switches to plus



VAM 40 V DR

Part no. 10.07.02.00035

Vacuum gauge (manometer) for analogue measurement and monitoring of the vacuum

External diameter D: 40 mm

Measuring range: -1.00 ... 0.00 bar

Shape: With sealing ring

Vacuum connection: G1/8"-M