

Basic Ejector

SBPL 125 HF NPT

Part no.: 10.02.01.01656

<https://www.schmalz.com/10.02.01.01656>



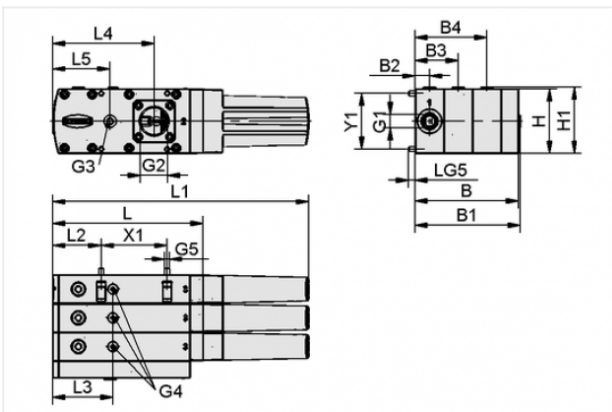
Homepage > Vacuum Technology for Automation > Vacuum Components > Vacuum Generators > Basic Ejectors > Basic Ejectors SBPL > SBPL 125 HF NPT

Basic ejector with maximum suction capacity



Size: 125
 Shape: High Flow
 Type: NPT
 Suction rate (max): 1010 l/min
 Air consumption (during evac.):
 370 l/min
 Weight: 1.5 kg

Design Data



| Attribute | Value |
|-----------|----------|
| B | 115 mm |
| B1 | 117 mm |
| B2 | 16 mm |
| B3 | 48 mm |
| B4 | 80 mm |
| G1 | NPT3/8-F |
| G2 | NPT1-F |
| G3 | NPT1/4-F |
| G4 | G1/8"-F |
| G5 | M5-M |
| H | 72 mm |
| H1 | 74 mm |
| L | 167.5 mm |

Contact to Schmalz

J. Schmalz GmbH | Johannes-Schmalz-Straße, 72293 Glatten, Deutschland | +49 7443 2403-102 | customercenter@schmalz.de

| Attribute | Value |
|-----------|----------|
| L1 | 285.3 mm |
| L2 | 54 mm |
| L3 | 67 mm |
| L4 | 113 mm |
| L5 | 64 mm |
| LG5 | 8.5 mm |
| X1 | 73.5 mm |
| Y1 | 62 mm |

Technical Data

| Attribute | Value |
|---------------------------------------|-------------------------|
| Size | 125 |
| Degree of evacuation | 60 % |
| Vacuum (max) | 17.718 inHg |
| Suction rate (real) | 1010 l/min |
| Suction rate (theo) | 1650 l/min |
| Suction rate (real) | 60.6 m ³ /h |
| Suction rate (theo) | 99 m ³ /h |
| Air consumption (during evac.) | 370 l/min |
| Air consumption (during evac.) | 22.75 m ³ /h |
| Noise level (free) | 70 dB |
| Noise level (workp. gripped) | 60 dB |
| Pressure range (operating pressure) | 2.0 ... 6.0 bar |
| Pressure range (operating pressure) | 29.0 ... 87.0 psi |
| Int. hose diameter (recom.) comp.-air | 11 mm |

Contact to Schmalz

| Attribute | Value |
|---|-------------|
| Int. hose diameter (recom.) vacuum side | 32 mm |
| Weight | 1.5 kg |
| Ambient temperature | 0 ... 60 °C |

Spare Parts



SEP HF 3 13 22

Part no. 10.02.01.01348

Multistagenozzle as a cartridge

Shape: High Flow

Number of stages: 3

Nozzle size: 1,3 mm

Hole diameter: 22 mm

Degree of evacuation: 61 %

Pressure range (operating pressure):

2.0 ... 6.0 bar

Pressure optimal: 4 bar

Suction rate (max): 297.6 l/min

Air consumption (during evac.):

74 l/min



ERS-SET SEP-22 6xRUE-KLAP

Part no. 10.02.01.01450

Set of spare parts

for: Ejector module

Size: 22

contains: 6x Non-return flap

Accessories

Contact to Schmalz

J. Schmalz GmbH | Johannes-Schmalz-Straße, 72293 Glatten, Deutschland | +49 7443 2403-102 |
customercenter@schmalz.de



VAM 40 V DR

Part no. 10.07.02.00035

Vacuum gauge (manometer) for analogue measurement and monitoring of the vacuum

External diameter D: 40 mm

Measuring range: -1.00 ... 0.00 bar

Shape: With sealing ring

Vacuum connection: G1/8"-M



VAM-D 30x30 VP10 G1/8-AG

Part no. 10.07.02.00055

Vacuum gauge (manometer) for measurement and monitoring of the vacuum

Length L: 30 mm

Width B: 30 mm

Measuring range: -1.0 ... 10.0 bar

Vacuum connection: G1/8-M



VSi V M12-4

Part no. 10.06.02.00570

Vacuum and pressure switch with two digital output signals and IO-Link function

Measuring range: -1...0 bar

Electrical connection:

Male connect M12, 4 pol

Indication: LED

Protection: IP 65



VSi V D M12-4

Part no. 10.06.02.00580

Vacuum and pressure switch with two digital output signals and IO-Link function

Measuring range: -1...0 bar

Type: with display

Electrical connection:

Male connect M12, 4 pol

Indication: 2xLED

Protection: IP 65



BEF-WIN 72x25x77 SBPL

Part no. 10.02.01.01705

Mounting bracket (inst.)

Length L: 72 mm

Width B: 25 mm

Height H: 77 mm

for: Basic ejectors



EMV 3 24V-DC 2/2 NC K-2P

Part no. 10.05.01.00366

Solenoid valve EMV for direct control of compressed air

Nominal size: 3 mm

Voltage: 24V - DC

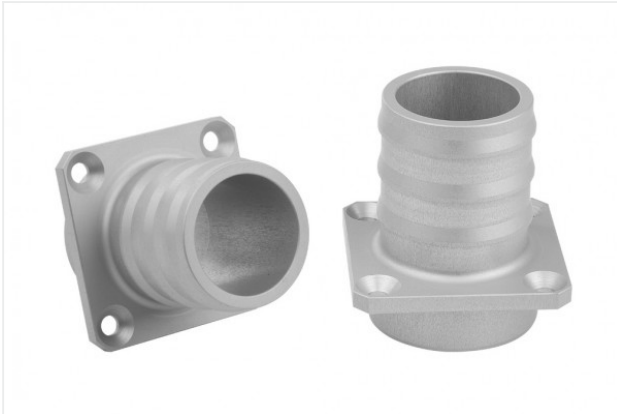
Function: 2/2-way valve

Control: Normally closed

Connecting thread: G1/4-M

contains: Cable 2

Cable length: 3 m

**ST 32 AL-EL**

Part no. 10.02.01.01681

Hose sleeve

Internal hose diameter: 32 mm

Material: Aluminium

Surface: anodized

**VSL 42-32 PU-DS**

Part no. 10.07.09.00036

Hose for vacuum and compressed-air systems

External diameter D: 42 mm

Internal diameter d: 32 mm

Length (max): 10 m

Material: PU, with wire spiral

Installation radius (min): 95 mm

Pressure range (operating pressure):

-0.95 ... 3.20 bar

Ambient temperature: -20 ... 90 °C