

# Basic Ejector

## SBPL 75 HV NPT

Part no.: 10.02.01.01653

<https://www.schmalz.com/10.02.01.01653>



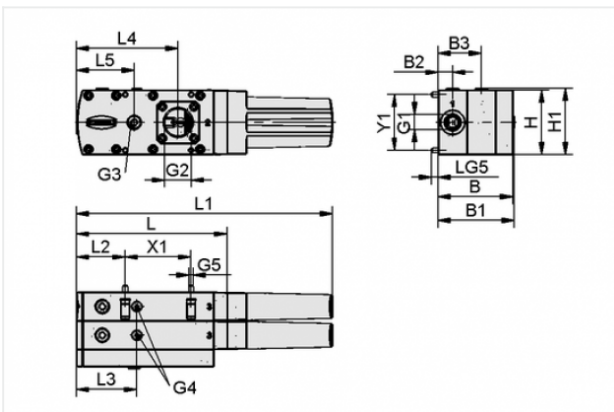
Homepage > Vacuum Technology for Automation > Vacuum Components > Vacuum Generators > Basic Ejectors > Basic Ejectors SBPL > SBPL 75 HV NPT

### Basic ejector with maximum suction capacity



Size: 75  
 Shape: High vacuum  
 Type: NPT  
 Suction rate (max): 720 l/min  
 Air consumption (during evac.):  
 305 l/min  
 Weight: 1.1 kg

### Design Data



Attribute	Value
B	83 mm
B1	85 mm
B2	16 mm
B3	48 mm
G1	NPT3/8-F
G2	NPT1-F
G3	NPT1/4-F
G4	G1/8"-F
G5	M5-M
H	72 mm
H1	74 mm
L	167.5 mm
L1	285.3 mm

### Contact to Schmalz

J. Schmalz GmbH | Johannes-Schmalz-Straße, 72293 Glatten, Deutschland | +49 7443 2403-102 | [customercenter@schmalz.de](mailto:customercenter@schmalz.de)

Attribute	Value
L2	54 mm
L3	67 mm
L4	113 mm
L5	64 mm
LG5	8.5 mm
X1	73.5 mm
Y1	62 mm

## Technical Data

Attribute	Value
Size	75
Degree of evacuation	90 %
Vacuum (max)	26.577 inHg
Suction rate (real)	720 l/min
Suction rate (theo)	990 l/min
Suction rate (real)	43.2 m <sup>3</sup> /h
Suction rate (theo)	59.4 m <sup>3</sup> /h
Air consumption (during evac.)	305 l/min
Air consumption (during evac.)	18.75 m <sup>3</sup> /h
Noise level (free)	68 dB
Noise level (workp. gripped)	62 dB
Pressure range (operating pressure)	2.0 ... 6.0 bar
Pressure range (operating pressure)	29.0 ... 87.0 psi
Int. hose diameter (recom.) comp.-air	9 mm
Int. hose diameter (recom.) vacuum side	32 mm

### Contact to Schmalz

Attribute	Value
Weight	1.1 kg
Ambient temperature	0 ... 60 °C

## Spare Parts



### SEP HV 3 16 22

Part no. 10.02.01.01397

Multistagenozzle as a cartridge

Shape: High vacuum

Number of stages: 3

Nozzle size: 1,6 mm

Hole diameter: 22 mm

Degree of evacuation: 90 %

Pressure range (operating pressure):

2.0 ... 6.0 bar

Pressure optimal: 4 bar

Suction rate (max): 308.8 l/min

Air consumption (during evac.):

103 l/min



### ERS-SET SEP-22 6xRUE-KLAP

Part no. 10.02.01.01450

Set of spare parts

for: Ejector module

Size: 22

contains: 6x Non-return flap

## Accessories

### Contact to Schmalz

J. Schmalz GmbH | Johannes-Schmalz-Straße, 72293 Glatten, Deutschland | +49 7443 2403-102 |  
customercenter@schmalz.de



**VAM 40 V DR**

Part no. 10.07.02.00035

Vacuum gauge (manometer) for analogue measurement and monitoring of the vacuum

External diameter D: 40 mm

Measuring range: -1.00 ... 0.00 bar

Shape: With sealing ring

Vacuum connection: G1/8"-M



**VAM-D 30x30 VP10 G1/8-AG**

Part no. 10.07.02.00055

Vacuum gauge (manometer) for measurement and monitoring of the vacuum

Length L: 30 mm

Width B: 30 mm

Measuring range: -1.0 ... 10.0 bar

Vacuum connection: G1/8-M



**VSi V M12-4**

Part no. 10.06.02.00570

Vacuum and pressure switch with two digital output signals and IO-Link function

Measuring range: -1...0 bar

Electrical connection:

Male connect M12, 4 pol

Indication: LED

Protection: IP 65



#### **VSi V D M12-4**

Part no. 10.06.02.00580

Vacuum and pressure switch with two digital output signals and IO-Link function

Measuring range: -1...0 bar

Type: with display

Electrical connection:

Male connect M12, 4 pol

Indication: 2xLED

Protection: IP 65



#### **BEF-WIN 72x25x77 SBPL**

Part no. 10.02.01.01705

Mounting bracket (inst.)

Length L: 72 mm

Width B: 25 mm

Height H: 77 mm

for: Basic ejectors



#### **EMV 3 24V-DC 2/2 NC K-2P**

Part no. 10.05.01.00366

Solenoid valve EMV for direct control of compressed air

Nominal size: 3 mm

Voltage: 24V - DC

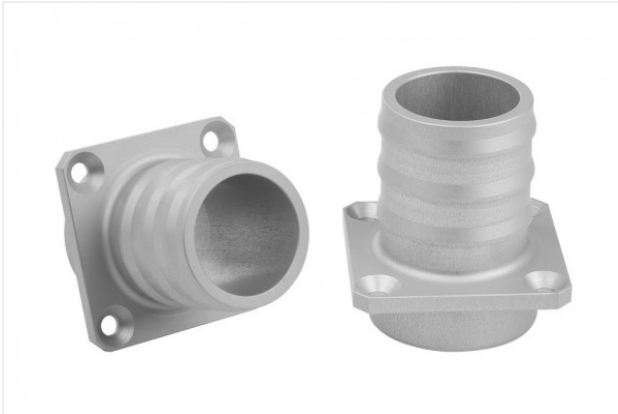
Function: 2/2-way valve

Control: Normally closed

Connecting thread: G1/4-M

contains: Cable 2

Cable length: 3 m

**ST 32 AL-EL**

Part no. 10.02.01.01681

Hose sleeve

Internal hose diameter: 32 mm

Material: Aluminium

Surface: anodized

**VSL 42-32 PU-DS**

Part no. 10.07.09.00036

Hose for vacuum and compressed-air systems

External diameter D: 42 mm

Internal diameter d: 32 mm

Length (max): 10 m

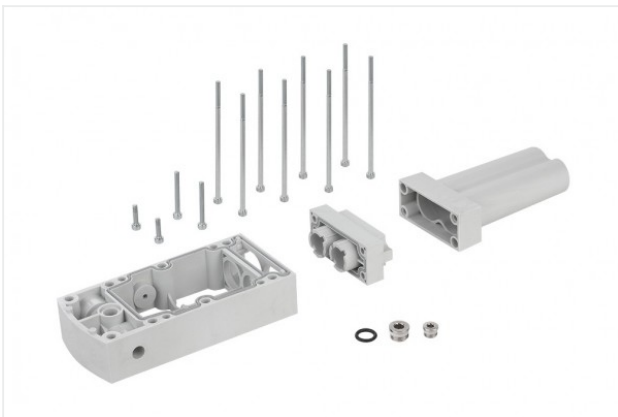
Material: PU, with wire spiral

Installation radius (min): 95 mm

Pressure range (operating pressure):

-0.95 ... 3.20 bar

Ambient temperature: -20 ... 90 °C

**SET SBPL 125/150**

Part no. 10.02.01.01686

Retrofit kit

for: Basic ejectors

Size: 125/150



**VRS-ST 15x101.7 SBPL**

Part no. 10.02.01.01687

Sealing plug - pre-assembly

External diameter D: 15 mm

Length L: 101.7 mm

for: Basic ejectors