

Retrofitting kit SET SBPL 125/150

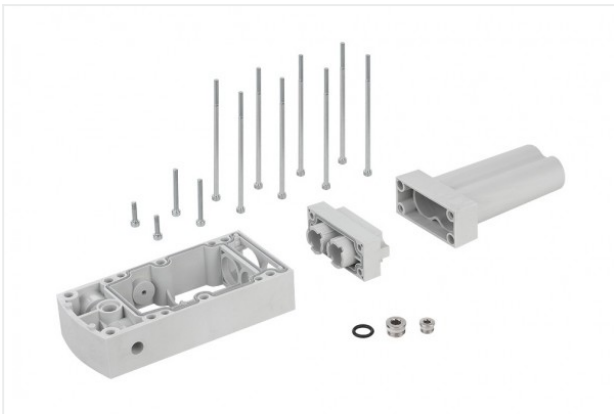
Part no.: 10.02.01.01686

<https://www.schmalz.com/10.02.01.01686>



Homepage > Vacuum Technology for Automation > Vacuum Components > Vacuum Generators > Basic Ejectors > SET SBPL 125/150

Retrofit kit



for: Basic ejectors

Size: 125/150

Technical Data

Attribute	Value
Weight	514.8 g

Contact to Schmalz

J. Schmalz GmbH | Johannes-Schmalz-Straße, 72293 Glatten, Deutschland | +49 7443 2403-102 | customercenter@schmalz.de