

Vacuum hose

VSL 41-35 PVC-PS

Part no.: 10.07.09.00010

<https://www.schmalz.com/10.07.09.00010>



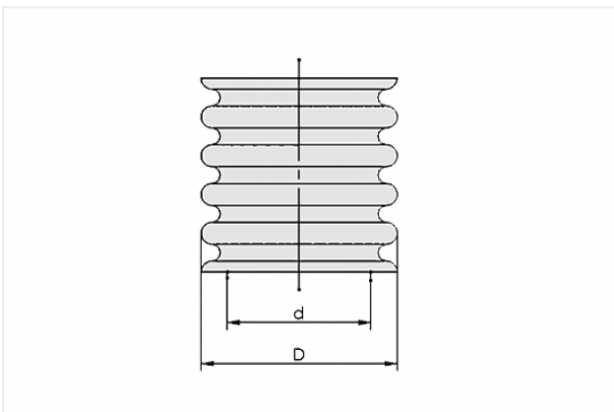
Homepage > Vacuum Technology for Automation > Vacuum Components > Filters and Connections > Hoses and Connectors > Vacuum /
Compressed-Air Hoses VSL > VSL 41-35 PVC-PS

Hose for vacuum and compressed-air systems



External diameter D: 41 mm
Internal diameter d: 35 mm
Length (max): 50 m
Material: PVC, with PVC spiral
Installation radius (min): 65 mm
Pressure range (operating pressure):
-0.50 ... 0.50 bar
Ambient temperature: -20 ... 70 °C

Design Data



Attribute	Value
d	35 mm
D	41 mm

Technical Data

Attribute	Value
Material	PVC, with PVC spiral
Pressure range (operating pressure)	-0.50 ... 0.50 bar

Contact to Schmalz

J. Schmalz GmbH | Johannes-Schmalz-Straße, 72293 Glatten, Deutschland | +49 7443 2403-102 |
customercenter@schmalz.de

Attribute	Value
Ambient temperature	-20 ... 70 °C
Installation radius (min)	65 mm
Length (max)	50 m
Weight/Meter	320 g/m
Weight/Meter	0.32 kg/m

Note:

- Operating pressure: In reference to media and ambient temperature of + 20°C
- Bending radius: Referred to the inner side of the hose bend in a static state
- Max. length: Please indicate the tube length when placing the order!

Accessories



SSD 35-40 ST-VZ

Part no. 10.07.10.00018

Hose clamp for securing wire-reinforced hoses

Clamping range: 35.0 ... 40.0 mm

Material: Steel

Surface: galvanised



SSD 38-43 ST-VZ

Part no. 10.07.10.00019

Hose clamp for securing wire-reinforced hoses

Clamping range: 38.0 ... 43.0 mm

Material: Steel

Surface: galvanised

