

# Hose clamp

## SSD 43-49 ST-VZ

Part no.: 10.07.10.00020

<https://www.schmalz.com/10.07.10.00020>



Homepage > Vacuum Technology for Automation > Vacuum Components > Filters and Connections > Hoses and Connectors > Hose Clamps SSB / SSD > SSD 43-49 ST-VZ

## Hose clamp for securing wire-reinforced hoses

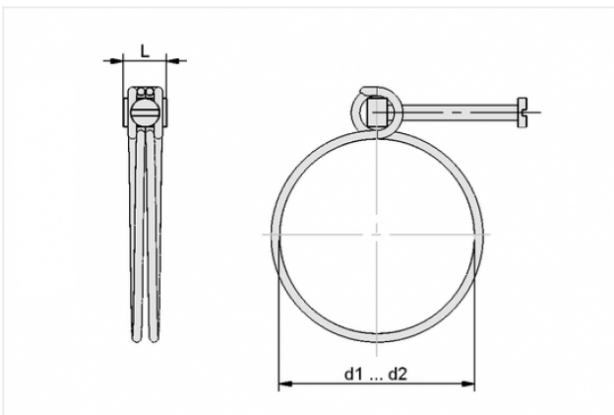


Clamping range: 43.0 ... 49.0 mm

Material: Steel

Surface: galvanised

### Design Data



| Attribute | Value |
|-----------|-------|
|-----------|-------|

|    |       |
|----|-------|
| d1 | 43 mm |
|----|-------|

|    |       |
|----|-------|
| d2 | 49 mm |
|----|-------|

|   |       |
|---|-------|
| L | 15 mm |
|---|-------|

### Technical Data

| Attribute | Value |
|-----------|-------|
|-----------|-------|

|                |                  |
|----------------|------------------|
| Clamping range | 43.0 ... 49.0 mm |
|----------------|------------------|

|          |       |
|----------|-------|
| Material | Steel |
|----------|-------|

### Contact to Schmalz

J. Schmalz GmbH | Johannes-Schmalz-Straße, 72293 Glatten, Deutschland | +49 7443 2403-102 | [customercenter@schmalz.de](mailto:customercenter@schmalz.de)

| Attribute | Value      |
|-----------|------------|
| Surface   | galvanised |
| Weight    | 27 g       |

## Accessories



### VSL 44-38 PU-DS

Part no. 10.07.09.00031

Hose for vacuum and compressed-air systems

External diameter D: 44 mm

Internal diameter d: 38 mm

Length (max): 10 m

Material: PU, with wire spiral

Installation radius (min): 95 mm

Pressure range (operating pressure):

-0.82 ... 3.12 bar

Ambient temperature: -20 ... 90 °C



### VSL 47-38 PU-DS

Part no. 10.07.09.00052

Hose for vacuum and compressed-air systems

External diameter D: 47 mm

Internal diameter d: 38 mm

Length (max): 10 m

Material: PU, with wire spiral

Installation radius (min): 115 mm

Pressure range (operating pressure):

-0.94 ... 4.39 bar

Ambient temperature: -20 ... 90 °C

**VSL 48-40 PVC-PS**

Part no. 10.07.09.00011

Hose for vacuum and compressed-air systems

External diameter D: 48 mm

Internal diameter d: 40 mm

Length (max): 50 m

Material: PVC, with PVC spiral

Installation radius (min): 70 mm

Pressure range (operating pressure):

-0.49 ... 1.00 bar

Ambient temperature: -20 ... 70 °C