

Vacuum hose

VSL 48-38 PVC-DS

<https://www.schmalz.com/10.07.09.00009>



Part no.: 10.07.09.00009

Homepage > Vacuum Technology for Automation > Vacuum Components > Filters and Connections > Hoses and Connectors > Vacuum /

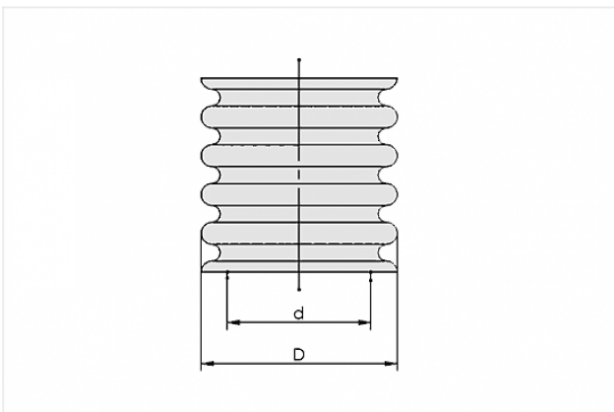
Compressed-Air Hoses VSL > VSL 48-38 PVC-DS

Hose for vacuum and compressed-air systems



External diameter D: 48 mm
Internal diameter d: 38 mm
Length (max): 30 m
Material: PVC, with wire spiral
Installation radius (min): 120 mm
Pressure range (operating pressure):
-0.88 ... 7.00 bar
Ambient temperature: -20 ... 70 °C

Design Data



Attribute	Value
-----------	-------

d	38 mm
---	-------

D	48 mm
---	-------

Technical Data

Attribute	Value
-----------	-------

Material	PVC, with wire spiral
----------	-----------------------

Pressure range (operating pressure)	-0.88 ... 7.00 bar
-------------------------------------	--------------------

Contact to Schmalz

J. Schmalz GmbH | Johannes-Schmalz-Straße, 72293 Glatten, Deutschland | +49 7443 2403-102 | customercenter@schmalz.de

Attribute	Value
Ambient temperature	-20 ... 70 °C
Installation radius (min)	120 mm
Length (max)	30 m
Weight/Meter	896 g/m
Weight/Meter	0.896 kg/m

Note:

- Operating pressure: In reference to media and ambient temperature of + 20°C
- Bending radius: Referred to the inner side of the hose bend in a static state
- Max. length: Please indicate the tube length when placing the order!

Accessories



SSB 32-50 ST-VZ

Part no. 10.07.10.00004
 Hose clamp for securing smooth hoses
 Clamping range: 32.0 ... 50.0 mm
 Material: Steel galvanised



SSB 40-60 ST-VZ

Part no. 10.07.10.00005
 Hose clamp for securing smooth hoses
 Clamping range: 40.0 ... 60.0 mm
 Material: Steel galvanised



ST G1-1/2-AG 38 MS-V

Part no. 10.08.03.00170

Hose sleeve

Thread 1: G1-1/2-M

Internal hose diameter: 38 mm

Material: Brass

Surface: nickel plated