

# Vacuum hose

## VSL 41-32 PVC-DS

<https://www.schmalz.com/10.07.09.00008>



Part no.: 10.07.09.00008

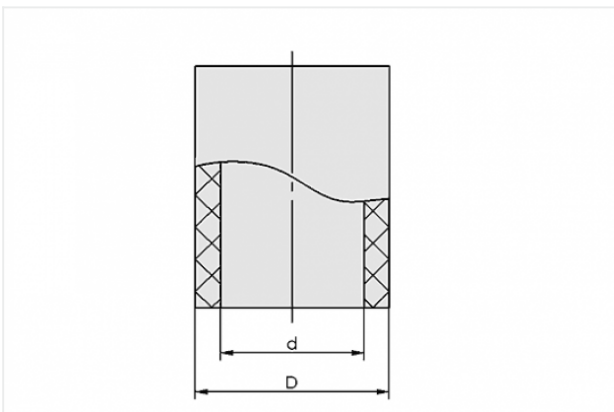
Homepage > Vacuum Technology for Automation > Vacuum Components > Filters and Connections > Hoses and Connectors > Vacuum /  
Compressed-Air Hoses VSL > VSL 41-32 PVC-DS

## Hose for vacuum and compressed-air systems



External diameter D: 41 mm  
Internal diameter d: 32 mm  
Length (max): 30 m  
Material: PVC, with wire spiral  
Installation radius (min): 110 mm  
Pressure range (operating pressure):  
-0.85 ... 4.00 bar  
Ambient temperature: -20 ... 70 °C

## Design Data



Attribute	Value
d	32 mm
D	41 mm

## Technical Data

Attribute	Value
Material	PVC, with wire spiral
Pressure range (operating pressure)	-0.85 ... 4.00 bar

## Contact to Schmalz

J. Schmalz GmbH | Johannes-Schmalz-Straße, 72293 Glatten, Deutschland | +49 7443 2403-102 |  
customercenter@schmalz.de

Attribute	Value
Ambient temperature	-20 ... 70 °C
Installation radius (min)	110 mm
Length (max)	30 m
Weight/Meter	710 g/m
Weight/Meter	0.71 kg/m

**Note:**

- Operating pressure: In reference to media and ambient temperature of + 20°C
- Bending radius: Referred to the inner side of the hose bend in a static state
- Max. length: Please indicate the tube length when placing the order!

**Accessories**



**SSB 32-50 ST-VZ**

Part no. 10.07.10.00004

Hose clamp for securing smooth hoses

Clamping range: 32.0 ... 50.0 mm

Material: Steel galvanised



**SSB 40-60 ST-VZ**

Part no. 10.07.10.00005

Hose clamp for securing smooth hoses

Clamping range: 40.0 ... 60.0 mm

Material: Steel galvanised



**ST G1-AG 32 MS-V**

Part no. 10.08.03.00168

Hose sleeve

Thread 1: G1-M

Internal hose diameter: 32 mm

Material: Brass

Surface: nickel plated



**ST G1-1/4-AG 32 MS-V**

Part no. 10.08.03.00169

Hose sleeve

Thread 1: G1-1/4-M

Internal hose diameter: 32 mm

Material: Brass

Surface: nickel plated