

Hose clamp

SSB 32-50 ST-VZ

Part no.: 10.07.10.00004

<https://www.schmalz.com/10.07.10.00004>



Homepage > Vacuum Technology for Automation > Vacuum Components > Filters and Connections > Hoses and Connectors > Hose Clamps SSB / SSD > SSB 32-50 ST-VZ

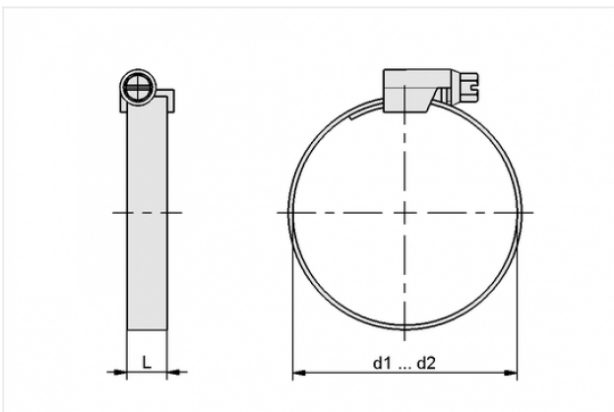
Hose clamp for securing smooth hoses



Clamping range: 32.0 ... 50.0 mm

Material: Steel galvanised

Design Data



Attribute	Value
-----------	-------

d1	32 mm
----	-------

d2	50 mm
----	-------

L	9 mm
---	------

Technical Data

Attribute	Value
Material	Steel galvanised
Weight	21 g

Contact to Schmalz

J. Schmalz GmbH | Johannes-Schmalz-Straße, 72293 Glatten, Deutschland | +49 7443 2403-102 | customercenter@schmalz.de

Accessories



VSL 33-25 PVC-DS

Part no. 10.07.09.00041

Hose for vacuum and compressed-air systems

External diameter D: 33 mm

Internal diameter d: 25 mm

Length (max): 50 m

Material: PVC, with wire spiral

Installation radius (min): 95 mm

Pressure range (operating pressure):

-0.85 ... 4.00 bar

Ambient temperature: -20 ... 70 °C



VSL 41-32 PVC-DS

Part no. 10.07.09.00008

Hose for vacuum and compressed-air systems

External diameter D: 41 mm

Internal diameter d: 32 mm

Length (max): 30 m

Material: PVC, with wire spiral

Installation radius (min): 110 mm

Pressure range (operating pressure):

-0.85 ... 4.00 bar

Ambient temperature: -20 ... 70 °C



VSL 48-38 PVC-DS

Part no. 10.07.09.00009

Hose for vacuum and compressed-air systems

External diameter D: 48 mm

Internal diameter d: 38 mm

Length (max): 30 m

Material: PVC, with wire spiral

Installation radius (min): 120 mm

Pressure range (operating pressure):

-0.88 ... 7.00 bar

Ambient temperature: -20 ... 70 °C