

Vacuum hose

VSL 33-25 PVC-DS

Part no.: 10.07.09.00041

<https://www.schmalz.com/10.07.09.00041>



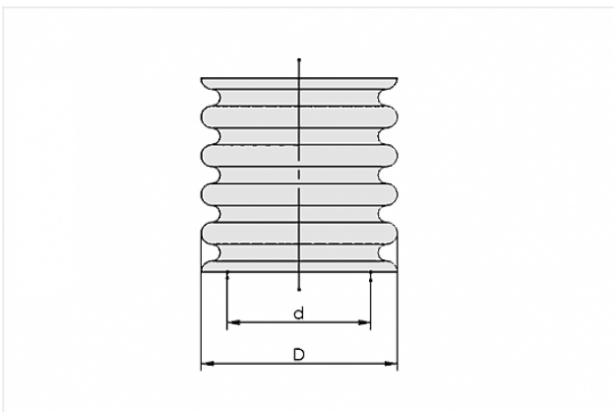
Homepage > Vacuum Technology for Automation > Vacuum Components > Filters and Connections > Hoses and Connectors > Vacuum /
Compressed-Air Hoses VSL > VSL 33-25 PVC-DS

Hose for vacuum and compressed-air systems



External diameter D: 33 mm
Internal diameter d: 25 mm
Length (max): 50 m
Material: PVC, with wire spiral
Installation radius (min): 95 mm
Pressure range (operating pressure):
-0.85 ... 4.00 bar
Ambient temperature: -20 ... 70 °C

Design Data



Attribute	Value
d	25 mm
D	33 mm

Technical Data

Attribute	Value
Material	PVC, with wire spiral
Pressure range (operating pressure)	-0.85 ... 4.00 bar

Contact to Schmalz

J. Schmalz GmbH | Johannes-Schmalz-Straße, 72293 Glatten, Deutschland | +49 7443 2403-102 |
customercenter@schmalz.de

Attribute	Value
Ambient temperature	-20 ... 70 °C
Installation radius (min)	95 mm
Length (max)	50 m
Weight/Meter	510 g/m
Weight/Meter	0.51 kg/m

Note:

- Operating pressure: In reference to media and ambient temperature of + 20°C
- Bending radius: Referred to the inner side of the hose bend in a static state
- Max. length: Please indicate the tube length when placing the order!

Accessories



SSB 32-50 ST-VZ

Part no. 10.07.10.00004
 Hose clamp for securing smooth hoses
 Clamping range: 32.0 ... 50.0 mm
 Material: Steel galvanised



ST G3/4-AG 25 MS-V

Part no. 10.08.03.00166
 Hose sleeve
 Thread G1: G3/4-M
 Internal hose diameter: 25 mm
 Material: Brass
 Surface: nickel plated



ST G1-AG 25 MS-V

Part no. 10.08.03.00167

Hose sleeve

Thread 1: G1-M

Internal hose diameter: 25 mm

Material: Brass

Surface: nickel plated