

# Vacuum hose

## VSL 33-25 PU-DS

Part no.: 10.07.09.00051

<https://www.schmalz.com/10.07.09.00051>



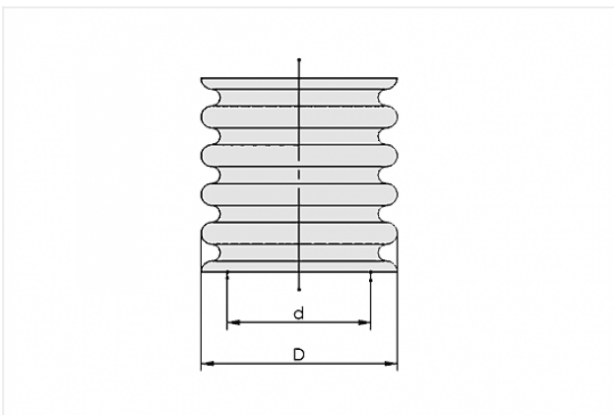
Homepage > Vacuum Technology for Automation > Vacuum Components > Filters and Connections > Hoses and Connectors > Vacuum / Compressed-Air Hoses VSL > VSL 33-25 PU-DS

## Hose for vacuum and compressed-air systems



External diameter D: 33 mm  
Internal diameter d: 25 mm  
Length (max): 10 m  
Material: PU, with wire spiral  
Installation radius (min): 75 mm  
Pressure range (operating pressure):  
-0.95 ... 4.00 bar  
Ambient temperature: -40 ... 90 °C

### Design Data



Attribute	Value
d	25 mm
D	33 mm

### Technical Data

Attribute	Value
Material	PU, with wire spiral
Pressure range (operating pressure)	-0.95 ... 4.00 bar

### Contact to Schmalz

J. Schmalz GmbH | Johannes-Schmalz-Straße, 72293 Glatten, Deutschland | +49 7443 2403-102 | [customercenter@schmalz.de](mailto:customercenter@schmalz.de)

Attribute	Value
Ambient temperature	-40 ... 90 °C
Installation radius (min)	75 mm
Length (max)	10 m
Weight/Meter	290 g/m
Weight/Meter	0.29 kg/m

**Note:**

- Operating pressure: In reference to media and ambient temperature of + 20°C
- Bending radius: Referred to the inner side of the hose bend in a static state
- Max. length: Please indicate the tube length when placing the order!

**Accessories**



**SSD 28-32 ST-VZ**

Part no. 10.07.10.00087

Hose clamp for securing wire-reinforced hoses

Clamping range: 28.0 ... 32.0 mm

Material: Steel

Surface: galvanised



**ST G3/4-AG 25 MS-V**

Part no. 10.08.03.00166

Hose sleeve

Thread G1: G3/4-M

Internal hose diameter: 25 mm

Material: Brass

Surface: nickel plated



**ST G1-AG 25 MS-V**

Part no. 10.08.03.00167

Hose sleeve

Thread 1: G1-M

Internal hose diameter: 25 mm

Material: Brass

Surface: nickel plated