

# Hose sleeve

## ST 25 AL-EL

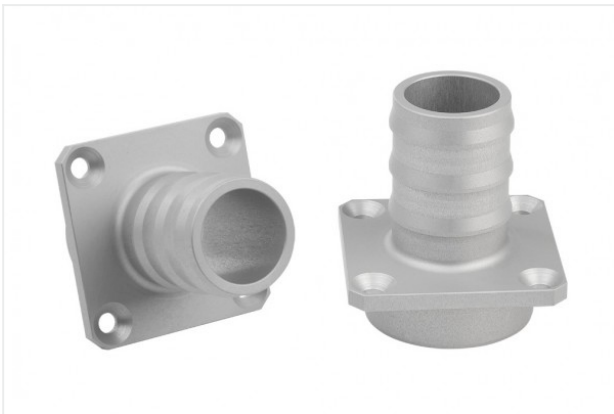
Part no.: 10.02.01.01680

<https://www.schmalz.com/10.02.01.01680>



Homepage > Vacuum Technology for Automation > Vacuum Components > Vacuum Generators > Basic Ejectors > ST 25 AL-EL

## Hose sleeve

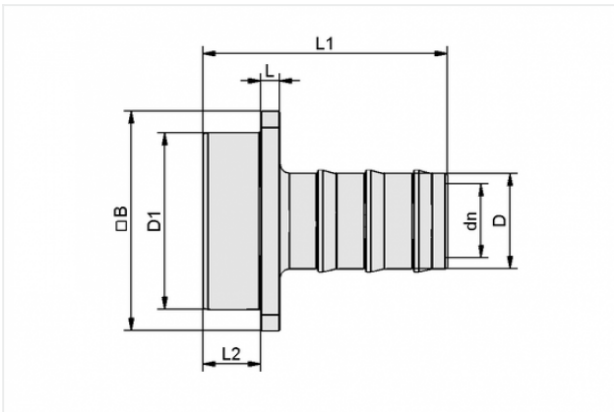


Internal hose diameter: 25 mm

Material: Aluminium

Surface: anodized

## Design Data



Attribute	Value
B	46 mm
dn	20 mm
D	25 mm
D1	37 mm
L	4 mm
L1	51 mm
L2	12 mm

## Technical Data

Attribute	Value
Material	Aluminium
Internal hose diameter (recom.)	25 mm

## Contact to Schmalz

J. Schmalz GmbH | Johannes-Schmalz-Straße, 72293 Glatten, Deutschland | +49 7443 2403-102 | [customercenter@schmalz.de](mailto:customercenter@schmalz.de)



Attribute	Value
Ambient temperature	0 ... 0 °C
Weight	50.5 g

---

---