

Sealing Plug (inst)

VRS-ST 15x101.7 SBPL

<https://www.schmalz.com/10.02.01.01687>



Part no.: 10.02.01.01687

Homepage > Vacuum Technology for Automation > Vacuum Components > Vacuum Generators > Basic Ejectors > VRS-ST 15x101.7 SBPL

Sealing plug - pre-assembly

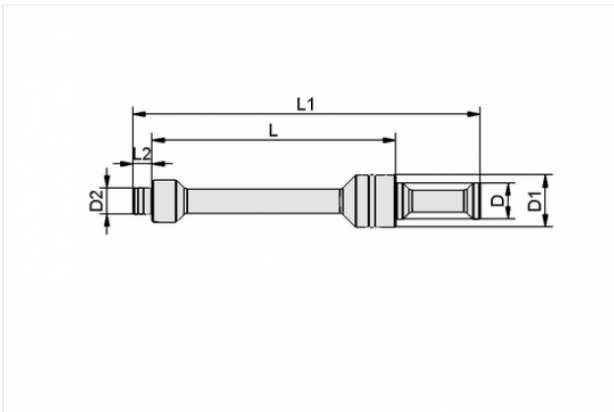


External diameter D: 15 mm

Length L: 101.7 mm

for: Basic ejectors

Design Data



Attribute	Value
D	15 mm
D1	21.8 mm
D2	108 mm
L	101.7 mm
L1	145 mm
L2	8 mm

Technical Data

Attribute	Value
Weight	55 g

Contact to Schmalz

J. Schmalz GmbH | Johannes-Schmalz-Straße, 72293 Glatten, Deutschland | +49 7443 2403-102 | customercenter@schmalz.de

