

Vacuum hose

VSL 27-20 PU-DS

Part no.: 10.07.09.00047

<https://www.schmalz.com/10.07.09.00047>



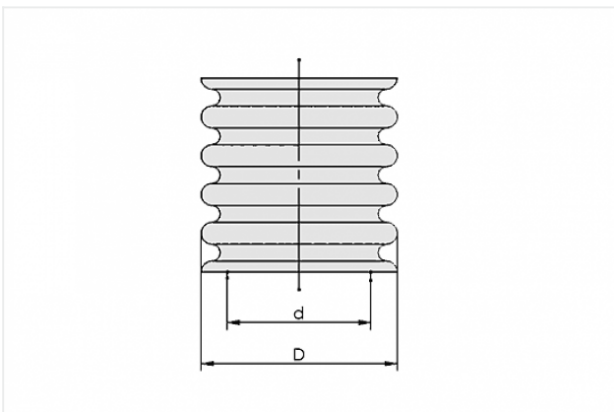
Homepage > Vacuum Technology for Automation > Vacuum Components > Filters and Connections > Hoses and Connectors > Vacuum /
Compressed-Air Hoses VSL > VSL 27-20 PU-DS

Hose for vacuum and compressed-air systems



External diameter D: 27 mm
Internal diameter d: 20 mm
Length (max): 10 m
Material: PU, with wire spiral
Installation radius (min): 70 mm
Pressure range (operating pressure):
-0.95 ... 4.00 bar
Ambient temperature: -20 ... 90 °C

Design Data



Attribute	Value
d	20 mm
D	27 mm

Technical Data

Attribute	Value
Material	PU, with wire spiral
Pressure range (operating pressure)	-0.95 ... 4.00 bar

Contact to Schmalz

J. Schmalz GmbH | Johannes-Schmalz-Straße, 72293 Glatten, Deutschland | +49 7443 2403-102 |
customercenter@schmalz.de

Attribute	Value
Ambient temperature	-20 ... 90 °C
Installation radius (min)	70 mm
Length (max)	10 m
Weight/Meter	230 g/m
Weight/Meter	0.23 kg/m

Note:

- Operating pressure: In reference to media and ambient temperature of + 20°C
- Bending radius: Referred to the inner side of the hose bend in a static state
- Max. length: Please indicate the tube length when placing the order!

Accessories**SSD 24-27 ST-VZ**

Part no. 10.07.10.00086

Hose clamp for securing wire-reinforced hoses

Clamping range: 24.0 ... 27.0 mm

Material: Steel

Surface: galvanised