

Hose sleeve

ST 20 AL-EL

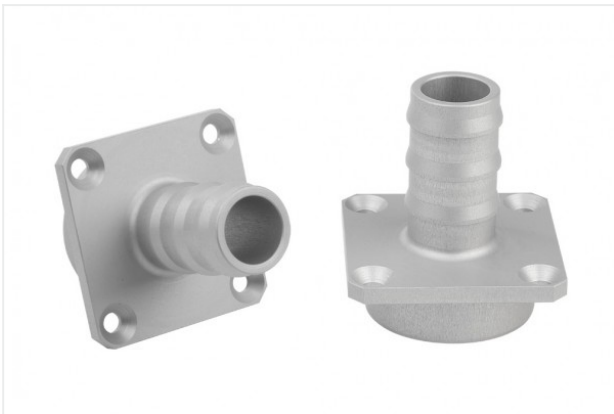
Part no.: 10.02.01.01679

<https://www.schmalz.com/10.02.01.01679>



Homepage > Vacuum Technology for Automation > Vacuum Components > Vacuum Generators > Basic Ejectors > ST 20 AL-EL

Hose sleeve

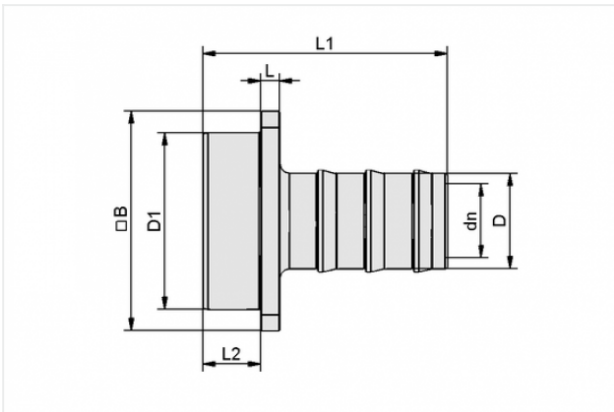


Internal hose diameter: 20 mm

Material: Aluminium

Surface: anodized

Design Data



Attribute	Value
B	46 mm
dn	15.5 mm
D	20 mm
D1	37 mm
L	4 mm
L1	51 mm
L2	12 mm

Technical Data

Attribute	Value
Material	Aluminium
Internal hose diameter (recom.)	20 mm

Contact to Schmalz

J. Schmalz GmbH | Johannes-Schmalz-Straße, 72293 Glatten, Deutschland | +49 7443 2403-102 | customercenter@schmalz.de



Attribute	Value
Ambient temperature	0 ... 0 °C
Weight	46.5 g
