

Solenoid valve pressure

<https://www.schmalz.com/10.05.01.00366>



EMV 3 24V-DC 2/2 NC K-2P

Part no.: 10.05.01.00366

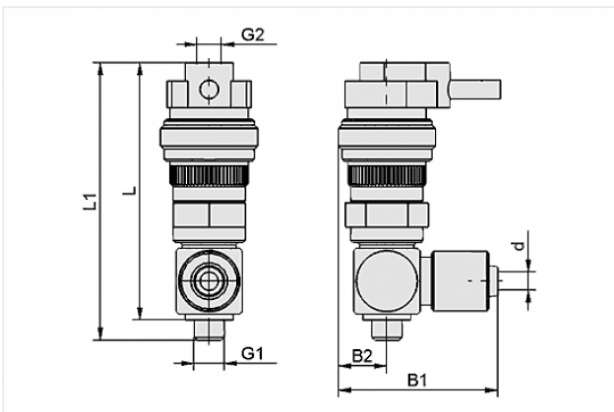
Homepage > Vacuum Technology for Automation > Vacuum Components > Vacuum Generators > Basic Ejectors > EMV 3 24V-DC 2/2 NC K-2P

Solenoid valve EMV for direct control of compressed air



Nominal size: 3 mm
Voltage: 24V - DC
Function: 2/2-way valve
Control: Normally closed
Connecting thread: G1/4-M
contains: Cable 2
Cable length: 3 m

Design Data



Attribute	Value
-----------	-------

B1	36.5 mm
----	---------

B2	12.8 mm
----	---------

d	5 mm
---	------

G1	G1/4"-M
----	---------

G2	G1/8"-F
----	---------

L	64.5 mm
---	---------

L1	72 mm
----	-------

Technical Data

Attribute	Value
-----------	-------

Nominal size	3 mm
--------------	------

Control	Normally closed
---------	-----------------

Contact to Schmalz

J. Schmalz GmbH | Johannes-Schmalz-Straße, 72293 Glatten, Deutschland | +49 7443 2403-102 | customercenter@schmalz.de



Attribute	Value
Nominal flow rate	175 l/min
Nominal flow rate	10.5 m ³ /h
Voltage	24V - DC
Weight	0.1528 kg
