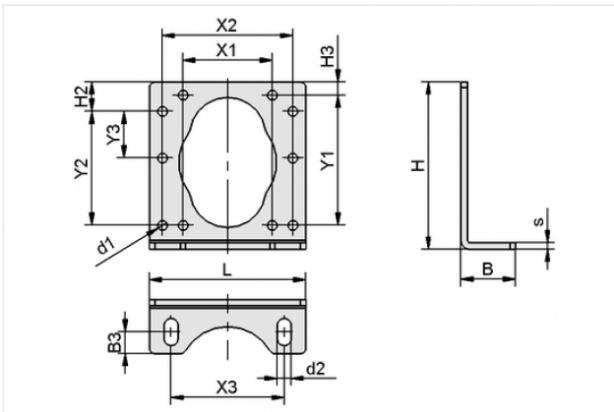


Mouting bracket (inst.)



Length L: 72 mm
 Width B: 25 mm
 Height H: 77 mm
 for: Basic ejectors

Design Data



Attribute	Value
B	25 mm
B3	10 mm
d1	4.5 mm
d2	6.6 mm
H	77 mm
H2	13.5 mm
H3	6 mm
L	72 mm
s	3 mm
X1	41 mm
X2	60 mm
X3	52 mm
Y1	60 mm
Y2	52.5 mm



Attribute	Value
Y3	21.5 mm

Technical Data

Attribute	Value
Weight	110.9 g
