

Vacuum/pressure switch

<https://www.schmalz.com/10.06.02.00570>



VSi V M12-4

Part no.: 10.06.02.00570

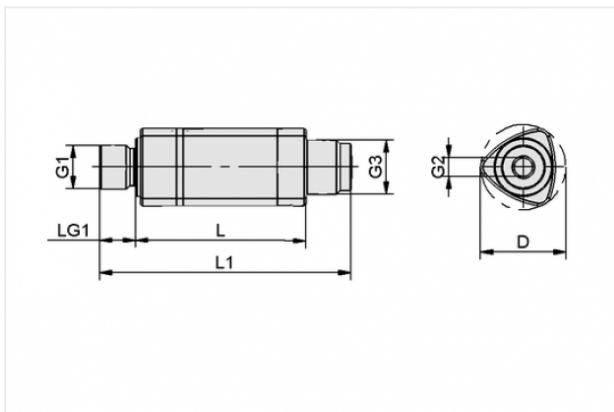
Homepage > Vacuum Technology for Automation > Vacuum Components > Switches and System Monitoring > Electronic Vacuum/Pressure Switches > Vacuum and Pressure Switches VSi > VSi V M12-4

Vacuum and pressure switch with two digital output signals and IO-Link function



Measuring range: -1...0 bar
Electrical connection:
Male connect M12, 4 pol
Indication: LED
Protection: IP 65

Design Data



Attribute	Value
D	19.6 mm
G1	G1/8"-M
G2	M5-F
G3	M12x1-M
L	38 mm
L1	56 mm
LG1	8 mm

Technical Data

Attribute	Value
Measured medium	Non-aggressive gases; dry, oil-free air

Contact to Schmalz

J. Schmalz GmbH | Johannes-Schmalz-Straße, 72293 Glatten, Deutschland | +49 7443 2403-102 | customercenter@schmalz.de

Attribute	Value
Measuring range	-1.0 ... 0.0 bar
Overpressure resistance	8 bar
Repeatability	± 3% of full-scale value
Hysteresis	Adjustable
Inputs/outputs	2 digital
Switching capacity (max)	100 mA
Indication	LED
Electrical connection	Male connect M12, 4 pol
Connection	G1/8"-M + M5-F
Voltage	10-30V DC
Current consumption	35 mA
Protection	IP 65
Temperature influence	± 3% of full-scale value
Ambient temperature	0 ... 50 °C
Weight	12 g
Measuring range	-14.5 ... 0.0 psi
Overpressure resistance	116.03 psi

Accessories



ASK B-M12-4 5000 K-4P

Part no. 21.04.05.00263

Connection cable

Interface Connection 1:

Fem connect M12, 4 pol

Cable length: 5000 mm

Interface Connection 2: Cable 4

Material: PUR-Cable



BEF-WIN 18x22x59 1 VS

Part no. 10.06.02.00061

Mounting bracket

Width B: 18 mm

Height H: 22 mm

Length L: 59 mm

Wall thickness s: 1 mm

for: Vacuum switch