

Mounting frame

EINB-RAx8.5x30 VS

<https://www.schmalz.com/10.06.02.00427>



Part no.: 10.06.02.00427

Homepage > Vacuum Technology for Automation > Vacuum Components > Switches and System Monitoring > Measuring and Control Devices >

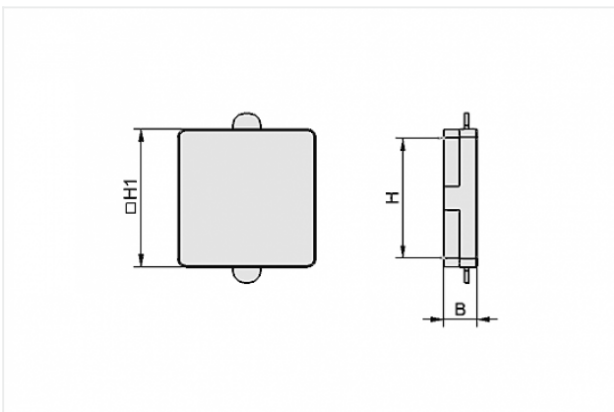
EINB-RAx8.5x30 VS

Mounting frame



Width: 8.5 mm
Height: 30 mm
for: Vacuum switch

Design Data



Attribute	Value
B	8.5 mm
H	30 mm
H1	34.5 mm

Technical Data

Attribute	Value
Weight	6 g

Contact to Schmalz

J. Schmalz GmbH | Johannes-Schmalz-Straße, 72293 Glatten, Deutschland | +49 7443 2403-102 | customercenter@schmalz.de



Contact to Schmalz

J. Schmalz GmbH | Johannes-Schmalz-Straße, 72293 Glatten, Deutschland | +49 7443 2403-102 |
customercenter@schmalz.de