

Vacuum cup filter

VFT G1/2-IG 100

Part no.: 10.07.01.00126

<https://www.schmalz.com/10.07.01.00126>



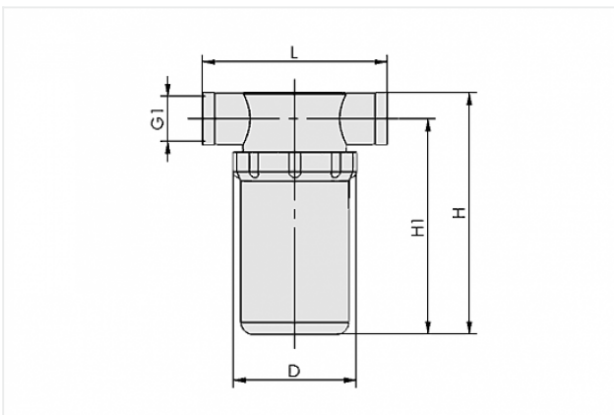
Homepage > Vacuum Technology for Automation > Vacuum Components > Filters and Connections > Vacuum Filters > Vacuum Cup Filters VFT > VFT G1/2-IG 100

Vacuum cup filter with transparent housing and replaceable filter



Connection: G1/2-F
Shape: Long filter insert
Nominal flow rate: 19.2 m³/h
Filter pore size: 100 µm

Design Data



Attribute	Value
-----------	-------

D	48.5 mm
---	---------

G1	G1/2"-F
----	---------

H	101 mm
---	--------

H1	88 mm
----	-------

L	77.2 mm
---	---------

Technical Data

Attribute	Value
-----------	-------

Connection	G1/2"-F
------------	---------

Nominal flow rate	320 l/min
-------------------	-----------

Contact to Schmalz

J. Schmalz GmbH | Johannes-Schmalz-Straße, 72293 Glatten, Deutschland | +49 7443 2403-102 | customercenter@schmalz.de

Attribute	Value
Nominal flow rate	19.2 m ³ /h
Vacuum (max)	-990 mbar
Overpressure (max) at 25°C	7 bar
Overpressure (max) at 50°C	5 bar
Filter pore size	100 µm
Weight	76 g

Spare Parts



FILT-EINS 100 25x71 A2 VFT-3/8+1/2

Part no. 10.07.01.00135

Filter insert (round)

Filter pore size: 100 µm

External diameter D: 25 mm

Length L: 71 mm

Filter material: Stainless steel

for: Filters VFT

Size: 3/8+1/2

Accessories



HTR-FIL 2S WI VFT1/8-1/2

Part no. 10.07.01.00228

Filter holder

Filter connect.: 2 Screws

Shape: angled

for: Filters VFT 1/8 - 1/2

