

Vacuum cup filter

VFT G1/2-IG 80

Part no.: 10.07.01.00125

<https://www.schmalz.com/10.07.01.00125>



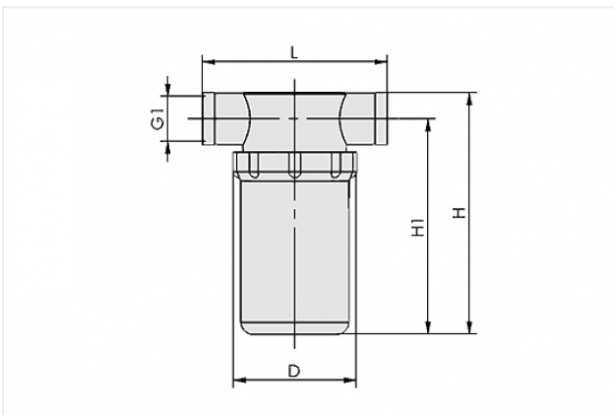
Homepage > Vacuum Technology for Automation > Vacuum Components > Filters and Connections > Vacuum Filters > Vacuum Cup Filters VFT > VFT G1/2-IG 80

Vacuum cup filter with transparent housing and replaceable filter



Connection: G1/2-F
Shape: Long filter insert
Nominal flow rate: 18 m³/h
Filter pore size: 80 µm

Design Data



Attribute	Value
-----------	-------

D	48 mm
G1	G1/2"-F
H	101 mm
H1	88 mm
L	77.2 mm

Technical Data

Attribute	Value
Connection	G1/2"-F
Nominal flow rate	300 l/min

Contact to Schmalz

J. Schmalz GmbH | Johannes-Schmalz-Straße, 72293 Glatten, Deutschland | +49 7443 2403-102 | customercenter@schmalz.de

Attribute	Value
Nominal flow rate	18 m ³ /h
Vacuum (max)	-990 mbar
Overpressure (max) at 25°C	7 bar
Overpressure (max) at 50°C	5 bar
Filter pore size	80 µm
Weight	76 g

Spare Parts



FILT-EINS 80 25x71 PE VFT-3/8-1/2

Part no. 10.07.01.00143

Filter insert (round)

Filter pore size: 80 µm

External diameter D: 25 mm

Length L: 71 mm

Filter material: Polyethylene

for: Filters VFT

Size: 3/8-1/2

Accessories



HTR-FIL 2S WI VFT1/8-1/2

Part no. 10.07.01.00228

Filter holder

Filter connect.: 2 Screws

Shape: angled

for: Filters VFT 1/8 - 1/2

