

Basic Ejector

SBPL 25 HF

<https://www.schmalz.com/10.02.01.01596>



Part no.: 10.02.01.01596

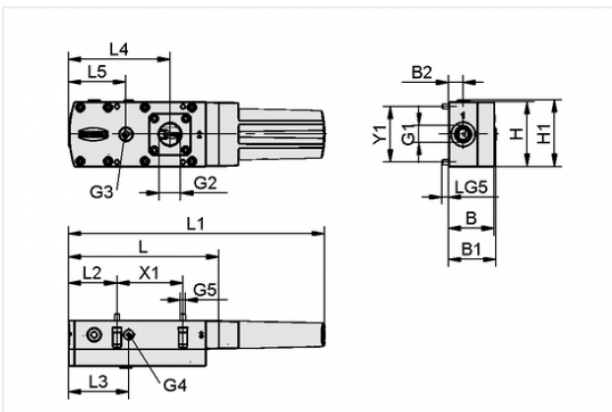
Homepage > Vacuum Technology for Automation > Vacuum Components > Vacuum Generators > Basic Ejectors > Basic Ejectors SBPL > SBPL 25 HF

Basic ejector with maximum suction capacity



Size: 25
 Shape: High Flow
 Suction rate (max): 290 l/min
 Air consumption (during evac.):
 80 l/min
 Weight: 0.75 kg

Design Data



Attribute	Value
B	51 mm
B1	53 mm
B2	16 mm
G1	G3/8"-F
G2	G3/4"-F
G3	G1/4"-F
G4	G1/8"-F
G5	M5-M
H	72 mm
H1	74 mm
L	167.5 mm
L1	285.3 mm
L2	54 mm

Contact to Schmalz

J. Schmalz GmbH | Johannes-Schmalz-Straße, 72293 Glatten, Deutschland | +49 7443 2403-102 | customercenter@schmalz.de

Attribute	Value
L3	67 mm
L4	113 mm
L5	64 mm
LG5	8.5 mm
X1	73.5 mm
Y1	62 mm

Technical Data

Attribute	Value
Size	25
Degree of evacuation	60 %
Vacuum (max)	17.718 inHg
Suction rate (real)	290 l/min
Suction rate (theo)	325 l/min
Suction rate (real)	17.4 m ³ /h
Suction rate (theo)	19.5 m ³ /h
Air consumption (during evac.)	80 l/min
Air consumption (during evac.)	5 m ³ /h
Noise level (free)	61 dB
Noise level (workp. gripped)	54 dB
Pressure range (operating pressure)	2.0 ... 6.0 bar
Pressure range (operating pressure)	29.0 ... 87.0 psi
Int. hose diameter (recom.) comp.-air	6 mm
Int. hose diameter (recom.) vacuum side	20 mm
Weight	0.75 kg

Contact to Schmalz

Attribute	Value
Ambient temperature	0 ... 60 °C

Spare Parts



SEP HF 3 13 22

Part no. 10.02.01.01348
 Multistagenozzle as a cartridge
 Shape: High Flow
 Number of stages: 3
 Nozzle size: 1,3 mm
 Hole diameter: 22 mm
 Degree of evacuation: 61 %
 Pressure range (operating pressure):
 2.0 ... 6.0 bar
 Pressure optimal: 4 bar
 Suction rate (max): 297.6 l/min
 Air consumption (during evac.):
 74 l/min



ERS-SET SEP-22 6xRUE-KLAP

Part no. 10.02.01.01450
 Set of spare parts
 for: Ejector module
 Size: 22
 contains: 6x Non-return flap

Accessories

Contact to Schmalz

J. Schmalz GmbH | Johannes-Schmalz-Straße, 72293 Glatten, Deutschland | +49 7443 2403-102 |
 customercenter@schmalz.de

**VFT G1/2-IG 80**

Part no. 10.07.01.00125

Vacuum cup filter with transparent housing and replaceable filter

Connection: G1/2-F

Shape: Long filter insert

Nominal flow rate: 18 m³/h

Filter pore size: 80 µm

**VFT G1/2-IG 100**

Part no. 10.07.01.00126

Vacuum cup filter with transparent housing and replaceable filter

Connection: G1/2-F

Shape: Long filter insert

Nominal flow rate: 19.2 m³/h

Filter pore size: 100 µm

**VAM 40 V DR**

Part no. 10.07.02.00035

Vacuum gauge (manometer) for analogue measurement and monitoring of the vacuum

External diameter D: 40 mm

Measuring range: -1.00 ... 0.00 bar

Shape: With sealing ring

Vacuum connection: G1/8"-M



VAM-D 30x30 VP10 G1/8-AG

Part no. 10.07.02.00055

Vacuum gauge (manometer) for measurement and monitoring of the vacuum

Length L: 30 mm

Width B: 30 mm

Measuring range: -1.0 ... 10.0 bar

Vacuum connection: G1/8-M



VSi V M12-4

Part no. 10.06.02.00570

Vacuum and pressure switch with two digital output signals and IO-Link function

Measuring range: -1...0 bar

Electrical connection:

Male connect M12, 4 pol

Indication: LED

Protection: IP 65



VSi V D M12-4

Part no. 10.06.02.00580

Vacuum and pressure switch with two digital output signals and IO-Link function

Measuring range: -1...0 bar

Type: with display

Electrical connection:

Male connect M12, 4 pol

Indication: 2xLED

Protection: IP 65



BEF-WIN 72x25x77 SBPL

Part no. 10.02.01.01705

Mouting bracket (inst.)

Length L: 72 mm

Width B: 25 mm

Height H: 77 mm

for: Basic ejectors



EMV 3 24V-DC 2/2 NC K-2P

Part no. 10.05.01.00366

Solenoid valve EMV for direct control of compressed air

Nominal size: 3 mm

Voltage: 24V - DC

Function: 2/2-way valve

Control: Normally closed

Connecting thread: G1/4-M

contains: Cable 2

Cable length: 3 m



ST 20 AL-EL

Part no. 10.02.01.01679

Hose sleeve

Internal hose diameter: 20 mm

Material: Aluminium

Surface: anodized

**VSL 27-20 PU-DS**

Part no. 10.07.09.00047

Hose for vacuum and compressed-air systems

External diameter D: 27 mm

Internal diameter d: 20 mm

Length (max): 10 m

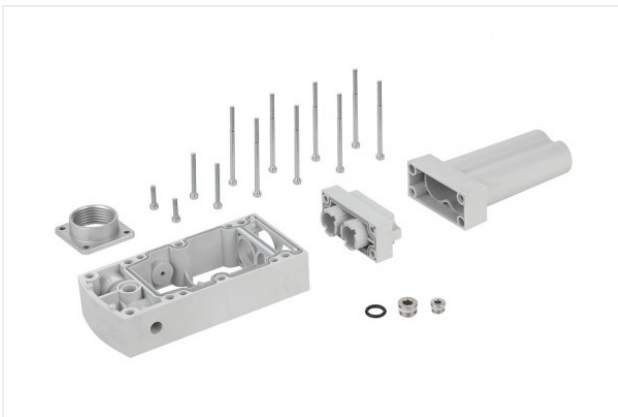
Material: PU, with wire spiral

Installation radius (min): 70 mm

Pressure range (operating pressure):

-0.95 ... 4.00 bar

Ambient temperature: -20 ... 90 °C

**SET SBPL 75/100**

Part no. 10.02.01.01685

Retrofit kit

for: Basic ejectors

Size: 75/100

**VRS-ST 15x101.7 SBPL**

Part no. 10.02.01.01687

Sealing plug - pre-assembly

External diameter D: 15 mm

Length L: 101.7 mm

for: Basic ejectors