

Basic ejector

SBP HV 2 16 22 S SD

<https://www.schmalz.com/10.02.01.01737>



Part no.: 10.02.01.01737

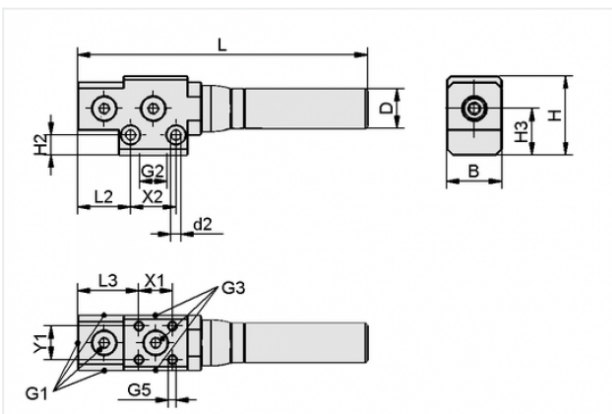
Homepage > Vacuum Technology for Automation > Vacuum Components > Vacuum Generators > Basic Ejectors > Basic Ejectors SBP-HV/HF > SBP HV 2 16 22 S SD

Basic ejector for universal use



Shape: High vacuum
 Number of stages: 2
 Nozzle size: 1,6 mm
 Size: 22
 with: Silencer
 Degree of evacuation: 90 %
 Pressure optimal: 4 bar
 Suction rate (max): 152.6 l/min
 Air consumption (during evac.):
 103 l/min
 Shape: With safety valve

Design Data



| Attribute | Value |
|-----------|----------|
| B | 35 mm |
| d2 | 6.4 mm |
| D | 29 mm |
| G1 | G1/4"-F |
| G2 | G3/8"-F |
| G3 | G1/4"-F |
| G5 | M6-F |
| H | 44 mm |
| H2 | 9.5 mm |
| H3 | 25.5 mm |
| L | 190.5 mm |

Contact to Schmalz

J. Schmalz GmbH | Johannes-Schmalz-Straße, 72293 Glatten, Deutschland | +49 7443 2403-102 | customercenter@schmalz.de

| Attribute | Value |
|-----------|---------|
| L2 | 32.5 mm |
| L3 | 34.5 mm |
| X1 | 22 mm |
| X2 | 26 mm |
| Y1 | 22 mm |

Technical Data

| Attribute | Value |
|---|------------------------|
| Nozzle diameter | 1.6 mm |
| Number of stages | 2 |
| Degree of evacuation | 90 % |
| Suction rate (max) | 9.39 m ³ /h |
| Suction rate (max) | 152.6 l/min |
| Air consumption (during evac.) | 6.34 m ³ /h |
| Air consumption (during evac.) | 103 l/min |
| Noise level (free) | 77 dB |
| Noise level (workp. gripped) | 63 dB |
| Pressure range (operating pressure) | 2.0 ... 6.0 bar |
| Pressure optimal | 4 bar |
| Int. hose diameter (recom.) comp.-air | 6 mm |
| Int. hose diameter (recom.) vacuum side | 12 mm |
| Weight | 276.6 g |
| Ambient temperature | 0 ... 60 °C |
| Pressure range (operating pressure) | 29.0 ... 87.0 psi |
| Pressure optimal | 58 psi |

Contact to Schmalz



| Attribute | Value |
|--------------------------------|-----------|
| Suction rate (max) | 5.388 cfm |
| Air consumption (during evac.) | 3.637 cfm |
