

Basic ejector

SBP HV 2 16 22 S

Part no.: 10.02.01.01725

<https://www.schmalz.com/10.02.01.01725>



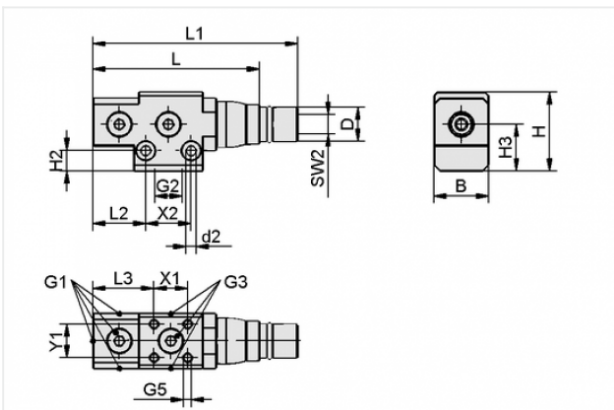
Homepage > Vacuum Technology for Automation > Vacuum Components > Vacuum Generators > Basic Ejectors > Basic Ejectors SBP-HV/HF > SBP HV 2 16 22 S

Basic ejector for universal use



Shape: High vacuum
 Number of stages: 2
 Nozzle size: 1,6 mm
 Size: 22
 Degree of evacuation: 90 %
 Pressure optimal: 4 bar
 Suction rate (max): 152.6 l/min
 Air consumption (during evac.):
 103 l/min
 Shape: With safety valve

Design Data



Attribute	Value
B	35 mm
d2	6.4 mm
D	20 mm
G1	G1/4"-F
G2	G3/8"-F
G3	G1/4"-F
G5	M6-F
H	44 mm
H2	9.5 mm
H3	25.5 mm
L	120.5 mm
L1	138.5 mm

Contact to Schmalz

J. Schmalz GmbH | Johannes-Schmalz-Straße, 72293 Glatten, Deutschland | +49 7443 2403-102 | customercenter@schmalz.de

Attribute	Value
L2	32.5 mm
L3	34.5 mm
SW2	12 mm
X1	22 mm
X2	26 mm
Y1	22 mm

Technical Data

Attribute	Value
Nozzle diameter	1.6 mm
Number of stages	2
Degree of evacuation	90 %
Suction rate (max)	9.39 m ³ /h
Suction rate (max)	152.6 l/min
Air consumption (during evac.)	6.34 m ³ /h
Air consumption (during evac.)	103 l/min
Noise level (free)	87 dB
Noise level (workp. gripped)	76 dB
Pressure range (operating pressure)	2.0 ... 6.0 bar
Pressure optimal	4 bar
Int. hose diameter (recom.) comp.-air	6 mm
Int. hose diameter (recom.) vacuum side	12 mm
Weight	261.6 g
Ambient temperature	0 ... 60 °C
Pressure range (operating pressure)	29.0 ... 87.0 psi

Contact to Schmalz



Attribute	Value
Pressure optimal	58 psi
Suction rate (max)	5.388 cfm
Air consumption (during evac.)	3.637 cfm