

Basic ejector

SBP HV 2 04 7

Part no.: 10.02.01.01716

<https://www.schmalz.com/10.02.01.01716>



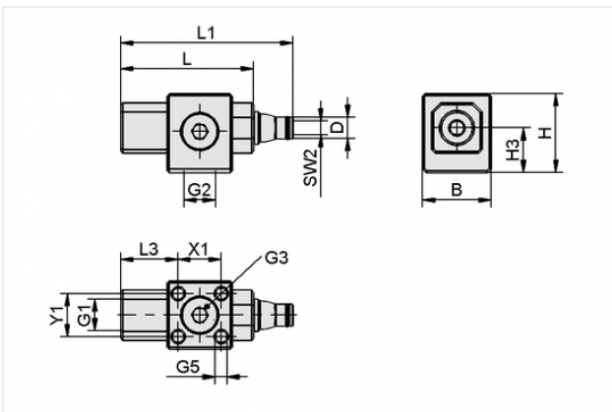
Homepage > Vacuum Technology for Automation > Vacuum Components > Vacuum Generators > Basic Ejectors > Basic Ejectors SBP-HV/HF > SBP HV 2 04 7

Basic ejector for universal use



Shape: High vacuum
Number of stages: 2
Nozzle size: 0,4 mm
Size: 7
Degree of evacuation: 79 %
Pressure optimal: 4 bar
Suction rate (max): 13.2 l/min
Air consumption (during evac.):
6.5 l/min

Design Data



Attribute	Value
-----------	-------

B	19 mm
---	-------

D	6 mm
---	------

G1	G1/8"-F
----	---------

G2	G1/8"-F
----	---------

G3	G1/8"-F
----	---------

G5	M4-F
----	------

H	22 mm
---	-------

H3	12.5 mm
----	---------

L	37 mm
---	-------

L1	48 mm
----	-------

L3	16 mm
----	-------

SW2	4 mm
-----	------

X1	12 mm
----	-------

Contact to Schmalz

J. Schmalz GmbH | Johannes-Schmalz-Straße, 72293 Glatten, Deutschland | +49 7443 2403-102 | customercenter@schmalz.de

Attribute	Value
Y1	12 mm

Technical Data

Attribute	Value
Nozzle diameter	0.4 mm
Number of stages	2
Degree of evacuation	79 %
Suction rate (max)	0.81 m ³ /h
Suction rate (max)	13.2 l/min
Air consumption (during evac.)	0.4 m ³ /h
Air consumption (during evac.)	6.5 l/min
Noise level (free)	65 dB
Noise level (workp. gripped)	57 dB
Pressure range (operating pressure)	2.0 ... 6.0 bar
Pressure optimal	4 bar
Int. hose diameter (recom.) comp.-air	2 mm
Int. hose diameter (recom.) vacuum side	4 mm
Weight	28.7 g
Ambient temperature	0 ... 60 °C
Pressure range (operating pressure)	29.0 ... 87.0 psi
Pressure optimal	58 psi
Suction rate (max)	0.466 cfm
Air consumption (during evac.)	0.229 cfm

