

# Basic ejector

## SBP HF 2 06 13 SD

Part no.: 10.02.01.01729

<https://www.schmalz.com/10.02.01.01729>



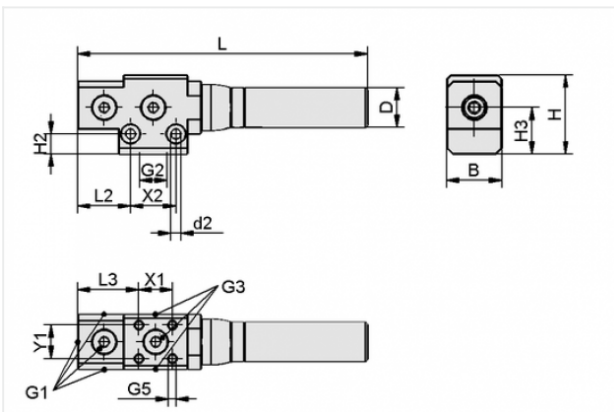
Homepage > Vacuum Technology for Automation > Vacuum Components > Vacuum Generators > Basic Ejectors > Basic Ejectors SBP-HV/HF > SBP HF 2 06 13 SD

### Basic ejector for universal use



Shape: High Flow  
 Number of stages: 2  
 Nozzle size: 0,6 mm  
 Size: 13  
 with: Silencer  
 Degree of evacuation: 70 %  
 Pressure optimal: 4 bar  
 Suction rate (max): 42.5 l/min  
 Air consumption (during evac.):  
 18.7 l/min

### Design Data



Attribute	Value
B	23 mm
d2	4.2 mm
D	16.5 mm
G1	G1/8"-F
G2	G1/4"-F
G3	G1/8"-F
G5	M4-F
H	33 mm
H2	8.5 mm
H3	19.5 mm
L	121 mm
L2	22 mm

### Contact to Schmalz

J. Schmalz GmbH | Johannes-Schmalz-Straße, 72293 Glatten, Deutschland | +49 7443 2403-102 | [customercenter@schmalz.de](mailto:customercenter@schmalz.de)

Attribute	Value
L3	25.5 mm
X1	14 mm
X2	19 mm
Y1	14 mm

## Technical Data

Attribute	Value
Nozzle diameter	0.6 mm
Number of stages	2
Degree of evacuation	70 %
Suction rate (max)	2.61 m <sup>3</sup> /h
Suction rate (max)	42.5 l/min
Air consumption (during evac.)	1.15 m <sup>3</sup> /h
Air consumption (during evac.)	18.7 l/min
Noise level (free)	67 dB
Noise level (workp. gripped)	56 dB
Pressure range (operating pressure)	2.0 ... 6.0 bar
Pressure optimal	4 bar
Int. hose diameter (recom.) comp.-air	4 mm
Int. hose diameter (recom.) vacuum side	6 mm
Weight	90.9 g
Ambient temperature	0 ... 60 °C
Pressure range (operating pressure)	29.0 ... 87.0 psi
Pressure optimal	58 psi
Suction rate (max)	1.5 cfm

### Contact to Schmalz



Attribute	Value
Air consumption (during evac.)	0.66 cfm

---

---