

Basic ejector

SBP HF 2 03 7

Part no.: 10.02.01.01715

<https://www.schmalz.com/10.02.01.01715>



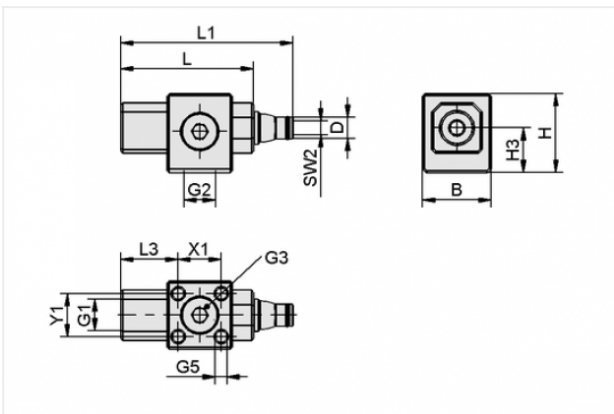
Homepage > Vacuum Technology for Automation > Vacuum Components > Vacuum Generators > Basic Ejectors > Basic Ejectors SBP-HV/HF > SBP HF 2 03 7

Basic ejector for universal use



Shape: High Flow
 Number of stages: 2
 Nozzle size: 0,3 mm
 Size: 7
 Degree of evacuation: 55 %
 Pressure optimal: 4 bar
 Suction rate (max): 15.3 l/min
 Air consumption (during evac.):
 5 l/min

Design Data



Attribute	Value
B	19 mm
D	6 mm
G1	G1/8"-F
G2	G1/8"-F
G3	G1/8"-F
G5	M4-F
H	22 mm
H3	12.5 mm
L	37 mm
L1	48 mm
L3	16 mm
SW2	4 mm
X1	12 mm

Contact to Schmalz

J. Schmalz GmbH | Johannes-Schmalz-Straße, 72293 Glatten, Deutschland | +49 7443 2403-102 | customercenter@schmalz.de

Attribute	Value
Y1	12 mm

Technical Data

Attribute	Value
Nozzle diameter	0.3 mm
Number of stages	2
Degree of evacuation	55 %
Suction rate (max)	0.94 m ³ /h
Suction rate (max)	15.3 l/min
Air consumption (during evac.)	0.3 m ³ /h
Air consumption (during evac.)	5 l/min
Noise level (free)	63 dB
Noise level (workp. gripped)	54 dB
Pressure range (operating pressure)	2.0 - 6.0 bar
Pressure optimal	4 bar
Int. hose diameter (recom.) comp.-air	2 mm
Int. hose diameter (recom.) vacuum side	4 mm
Weight	28.7 g
Ambient temperature	0 ... 60 °C
Pressure range (operating pressure)	29.0 - 87.0 psi
Pressure optimal	58 psi
Suction rate (max)	0.54 cfm
Air consumption (during evac.)	0.176 cfm

