

Basic ejector

SBP-C 25 S03 NO A

<https://www.schmalz.com/10.02.01.00592>



Part no.: 10.02.01.00592

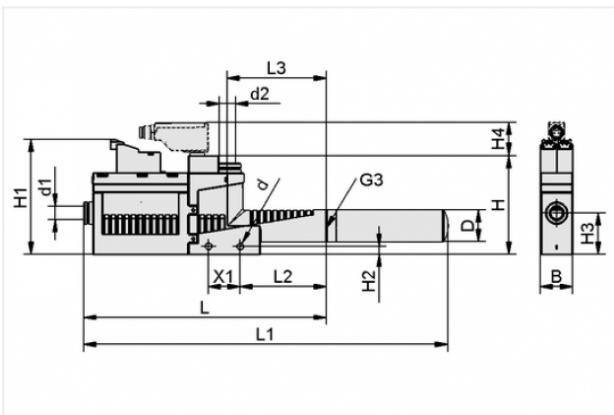
Homepage > Vacuum Technology for Automation > Vacuum Components > Vacuum Generators > Basic Ejectors > Basic Ejectors SBP-C with Additional Functions > SBP-C 25 S03 NO A

Basic ejector BASE PUMP-controlled with very light construction



Nozzle size: 2,5 mm
 Connection: Hose D8(1)-D10(2)
 Pressure optimal: 5.2 bar
 Suction rate (max): 220 l/min
 Air consumption (during evac.): 320 l/min
 Control: Normally open
 Shape: Blow-off function

Design Data



Attribute	Value
B	20 mm
d	4.2 mm
d1	8 mm
d2	10 mm
D	20 mm
G3	G3/8"-F
H	57.5 mm
H1	72 mm
H2	5.2 mm
H3	26 mm
L	152 mm
L1	228 mm
L2	54 mm

Contact to Schmalz

J. Schmalz GmbH | Johannes-Schmalz-Straße, 72293 Glatten, Deutschland | +49 7443 2403-102 | customercenter@schmalz.de

Attribute	Value
L3	62 mm
X1	20 mm

Technical Data

Attribute	Value
Nozzle diameter	2.5 mm
Degree of evacuation	85 %
Suction rate (max)	13.2 m ³ /h
Suction rate (max)	220 l/min
Air consumption (during evac.)	19.2 m ³ /h
Air consumption (during evac.)	320 l/min
Noise level (free)	78 dB
Noise level (workp. gripped)	70 dB
Pressure range (operating pressure)	3.0 ... 6.0 bar
Pressure optimal	5.2 bar
Int. hose diameter (recom.) comp.-air	6 mm
Int. hose diameter (recom.) vacuum side	7 mm
Weight	146 g
Ambient temperature	0 ... 50 °C
Pressure range (operating pressure)	43.5 ... 87.0 psi
Pressure optimal	75.4 psi
Suction rate (max)	7.769 cfm
Air consumption (during evac.)	11.3 cfm
Air consumption (blow off)	3.708 cfm

Note:

Contact to Schmalz

- The supply voltage for vacuum switches and solenoid valves is 24 VDC
- Air consumption: On version with solenoid valves SBP-C 07 (24) / SBP-C 25 (320) and optimal operating pressure
- Hose diameter: For max. length 2 m

Spare Parts



SD G3/8-AG 20x76 SBP

Part no. 10.02.01.00719

Silencer for vacuum generators

Thread G1: G3/8-M

External diameter D: 20 mm

Length L: 76 mm

for: Basic ejectors SBP

Accessories



BEF-PL 111.1x45x3 SBP

Part no. 10.02.01.00511

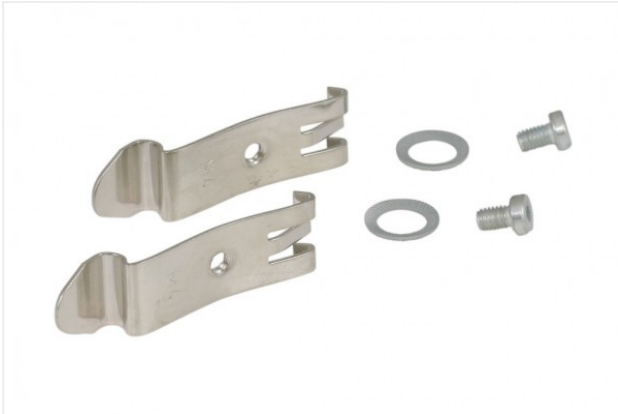
Mounting plate

Length L: 111.1 mm

Width B: 45 mm

Height H: 3 mm

for: Basic ejectors SBP



SET SBP M4-IG

Part no. 10.02.01.00769

Mounting set

for: Basic ejectors SBP

Type: M4-IG



ASK B-MIC10 3000 K-2P

Part no. 21.04.06.00086

Connection cable

Interface Connection cable:

Connect. 10mm

Cable length: 3000 mm

Interface Connection cable: Cable 2

Material: PUR-Cable