

Basic ejector

SBP-C 25 S03 VS-T

<https://www.schmalz.com/10.02.01.00986>



Part no.: 10.02.01.00986

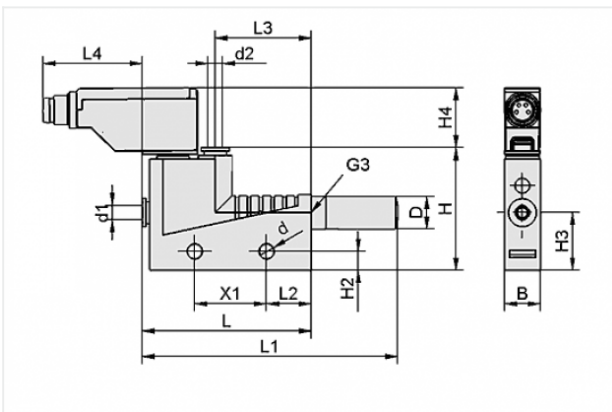
Homepage > Vacuum Technology for Automation > Vacuum Components > Vacuum Generators > Basic Ejectors > Basic Ejectors SBP-C with Additional Functions > SBP-C 25 S03 VS-T

Basic ejector BASE PUMP-controlled with very light construction



Nozzle size: 2,5 mm
 Connection: Hose D8(1)-D10(2)
 Pressure optimal: 4.5 bar
 Suction rate (max): 215 l/min
 Air consumption (during evac.):
 320 l/min
 with: electronic vacuum switch

Design Data



Attribute	Value
B	20 mm
d	4.2 mm
d1	8 mm
d2	10 mm
D	20 mm
G3	G3/8"-F
H	62 mm
H2	5.2 mm
H3	18 mm
H4	21 mm
L	92 mm
L1	168 mm
L2	54 mm

Contact to Schmalz

J. Schmalz GmbH | Johannes-Schmalz-Straße, 72293 Glatten, Deutschland | +49 7443 2403-102 | customercenter@schmalz.de

Attribute	Value
L3	62 mm
X1	20 mm

Technical Data

Attribute	Value
Nozzle diameter	2.5 mm
Degree of evacuation	85 %
Suction rate (max)	12.9 m ³ /h
Suction rate (max)	215 l/min
Air consumption (during evac.)	18.7 m ³ /h
Air consumption (during evac.)	320 l/min
Noise level (free)	78 dB
Noise level (workp. gripped)	70 dB
Pressure range (operating pressure)	3.0 ... 6.0 bar
Pressure optimal	4.5 bar
Int. hose diameter (recom.) comp.-air	6 mm
Int. hose diameter (recom.) vacuum side	7 mm
Weight	145 g
Ambient temperature	0 ... 50 °C
Pressure range (operating pressure)	43.5 ... 87.0 psi
Pressure optimal	65.2 psi
Suction rate (max)	7.592 cfm
Air consumption (during evac.)	11.3 cfm

Note:

- The supply voltage for vacuum switches and solenoid valves is 24 VDC
- Air consumption: On version with solenoid valves SBP-C 07 (24) / SBP-C 25 (320) and optimal operating pressure

Contact to Schmalz

- Hose diameter: For max. length 2 m

Spare Parts



SD G3/8-AG 20x76 SBP

Part no. 10.02.01.00719

Silencer for vacuum generators

Thread G1: G3/8-M

External diameter D: 20 mm

Length L: 76 mm

for: Basic ejectors SBP

Accessories



BEF-PL 111.1x45x3 SBP

Part no. 10.02.01.00511

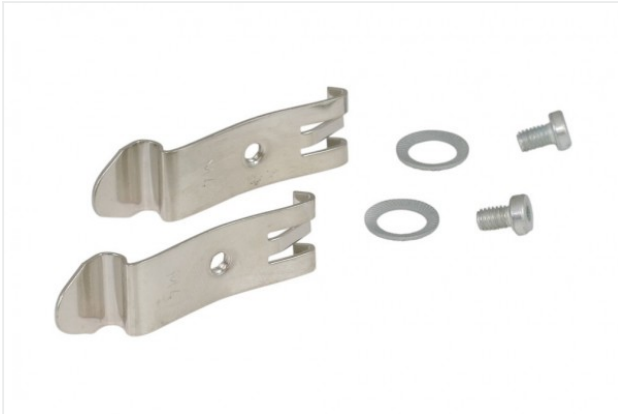
Mounting plate

Length L: 111.1 mm

Width B: 45 mm

Height H: 3 mm

for: Basic ejectors SBP



SET SBP M4-IG

Part no. 10.02.01.00769

Mounting set

for: Basic ejectors SBP

Type: M4-IG



ASK B-MIC10 3000 K-2P

Part no. 21.04.06.00086

Connection cable

Interface Connection cable:

Connect. 10mm

Cable length: 3000 mm

Interface Connection cable: Cable 2

Material: PUR-Cable



ASK B-M8-4 5000 K-4P

Part no. 10.06.02.00031

Connection cable

Interface Connection cable:

Fem connect M8, 4 pol

Cable length: 5000 mm

Interface Connection cable: Cable 4

Material: PUR-Cable