

Basic ejector

SBP-C 25 G03 NO A

<https://www.schmalz.com/10.02.01.00628>



Part no.: 10.02.01.00628

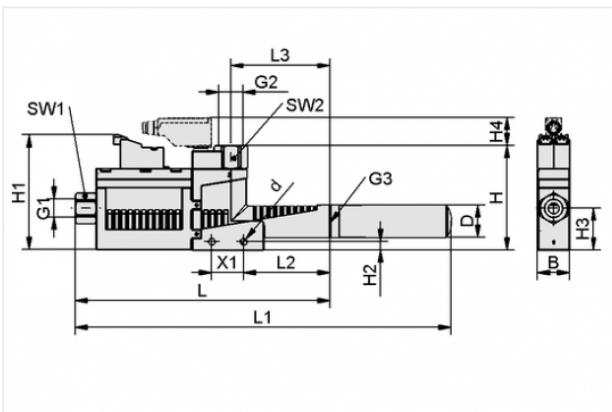
Homepage > Vacuum Technology for Automation > Vacuum Components > Vacuum Generators > Basic Ejectors > Basic Ejectors SBP-C with Additional Functions > SBP-C 25 G03 NO A

Basic ejector BASE PUMP-controlled with very light construction



Nozzle size: 2,5 mm
 Connection: G1/4(1)-G3/8(1)
 Pressure optimal: 5.2 bar
 Suction rate (max): 220 l/min
 Air consumption (during evac.):
 320 l/min
 Control: Normally open
 Shape: Blow-off function

Design Data



| Attribute | Value |
|-----------|----------|
| B | 20 mm |
| d | 4.2 mm |
| D | 20 mm |
| G1 | G1/4"-F |
| G2 | G3/8"-F |
| G3 | G3/8"-F |
| H | 65.5 mm |
| H1 | 72 mm |
| H2 | 5.2 mm |
| H3 | 8.5 mm |
| L | 159.5 mm |
| L1 | 235.5 mm |
| L2 | 54 mm |

Contact to Schmalz

J. Schmalz GmbH | Johannes-Schmalz-Straße, 72293 Glatten, Deutschland | +49 7443 2403-102 | customercenter@schmalz.de

| Attribute | Value |
|-----------|-------|
| L3 | 62 mm |
| SW1 | 17 mm |
| SW2 | 19 mm |
| X1 | 20 mm |

Technical Data

| Attribute | Value |
|---|------------------------|
| Nozzle diameter | 2.5 mm |
| Degree of evacuation | 85 % |
| Suction rate (max) | 13.2 m ³ /h |
| Suction rate (max) | 220 l/min |
| Air consumption (during evac.) | 19.2 m ³ /h |
| Air consumption (during evac.) | 320 l/min |
| Noise level (free) | 78 dB |
| Noise level (workp. gripped) | 70 dB |
| Pressure range (operating pressure) | 3.0 ... 6.0 bar |
| Pressure optimal | 5.2 bar |
| Int. hose diameter (recom.) comp.-air | 6 mm |
| Int. hose diameter (recom.) vacuum side | 7 mm |
| Weight | 144 g |
| Ambient temperature | 0 ... 50 °C |
| Pressure range (operating pressure) | 43.5 ... 87.0 psi |
| Pressure optimal | 75.4 psi |
| Suction rate (max) | 7.769 cfm |
| Air consumption (during evac.) | 11.3 cfm |

Contact to Schmalz

| Attribute | Value |
|----------------------------|-----------|
| Air consumption (blow off) | 3.708 cfm |

Note:

- The supply voltage for vacuum switches and solenoid valves is 24 VDC
- Air consumption: On version with solenoid valves SBP-C 07 (24) / SBP-C 25 (320) and optimal operating pressure
- Hose diameter: For max. length 2 m

Spare Parts



SD G3/8-AG 20x76 SBP

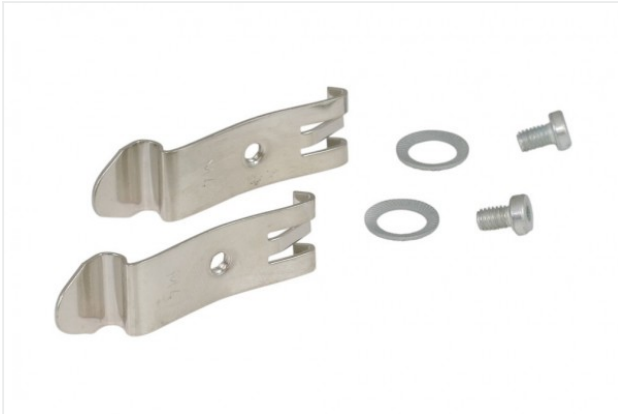
Part no. 10.02.01.00719
 Silencer for vacuum generators
 Thread G1: G3/8-M
 External diameter D: 20 mm
 Length L: 76 mm
 for: Basic ejectors SBP

Accessories



BEF-PL 111.1x45x3 SBP

Part no. 10.02.01.00511
 Mounting plate
 Length L: 111.1 mm
 Width B: 45 mm
 Height H: 3 mm
 for: Basic ejectors SBP



SET SBP M4-IG

Part no. 10.02.01.00769

Mounting set

for: Basic ejectors SBP

Type: M4-IG



ASK B-MIC10 3000 K-2P

Part no. 21.04.06.00086

Connection cable

Interface Connection cable:

Connect. 10mm

Cable length: 3000 mm

Interface Connection cable: Cable 2

Material: PUR-Cable