

Basic ejector

SBP-C 20 S03 NO A VS-T

<https://www.schmalz.com/10.02.01.00995>



Part no.: 10.02.01.00995

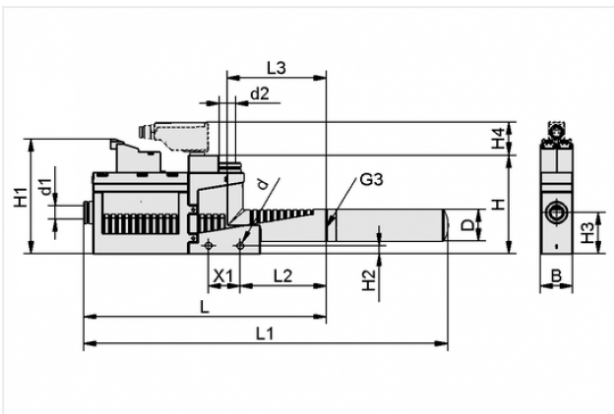
Homepage > Vacuum Technology for Automation > Vacuum Components > Vacuum Generators > Basic Ejectors > Basic Ejectors SBP-C with Additional Functions > SBP-C 20 S03 NO A VS-T

Basic ejector BASE PUMP-controlled with very light construction



Nozzle size: 2,0 mm
 Connection: Hose D8(1)-D10(2)
 Pressure optimal: 4.5 bar
 Suction rate (max): 123 l/min
 Air consumption (during evac.):
 208 l/min
 Control: Normally open
 Shape: Blow-off function
 with: electronic vacuum switch

Design Data



Attribute	Value
B	20 mm
d	4.2 mm
d1	8 mm
d2	10 mm
D	20 mm
G3	G3/8"-F
H	62 mm
H1	72 mm
H2	5.2 mm
H3	26 mm
H4	21 mm
L	152 mm
L1	228 mm

Contact to Schmalz

J. Schmalz GmbH | Johannes-Schmalz-Straße, 72293 Glatten, Deutschland | +49 7443 2403-102 | customercenter@schmalz.de

Attribute	Value
L2	54 mm
L3	62 mm
X1	20 mm

Technical Data

Attribute	Value
Nozzle diameter	2 mm
Degree of evacuation	85 %
Suction rate (max)	7.4 m ³ /h
Suction rate (max)	123 l/min
Air consumption (during evac.)	12.5 m ³ /h
Air consumption (during evac.)	208 l/min
Noise level (free)	77 dB
Noise level (workp. gripped)	68 dB
Pressure range (operating pressure)	3.0 ... 6.0 bar
Pressure optimal	4.5 bar
Int. hose diameter (recom.) comp.-air	6 mm
Int. hose diameter (recom.) vacuum side	7 mm
Weight	222 g
Ambient temperature	0 ... 50 °C
Pressure range (operating pressure)	43.5 ... 87.0 psi
Pressure optimal	65.2 psi
Suction rate (max)	4.343 cfm
Air consumption (during evac.)	7.345 cfm
Air consumption (blow off)	3.178 cfm

Contact to Schmalz

Note:

- The supply voltage for vacuum switches and solenoid valves is 24 VDC
- Air consumption: On version with solenoid valves SBP-C 07 (24) / SBP-C 25 (320) and optimal operating pressure
- Hose diameter: For max. length 2 m

Spare Parts**SD G3/8-AG 20x76 SBP**

Part no. 10.02.01.00719

Silencer for vacuum generators

Thread G1: G3/8-M

External diameter D: 20 mm

Length L: 76 mm

for: Basic ejectors SBP

Accessories**BEF-PL 111.1x45x3 SBP**

Part no. 10.02.01.00511

Mounting plate

Length L: 111.1 mm

Width B: 45 mm

Height H: 3 mm

for: Basic ejectors SBP



SET SBP M4-IG

Part no. 10.02.01.00769

Mounting set

for: Basic ejectors SBP

Type: M4-IG



ASK B-MIC10 3000 K-2P

Part no. 21.04.06.00086

Connection cable

Interface Connection cable:

Connect. 10mm

Cable length: 3000 mm

Interface Connection cable: Cable 2

Material: PUR-Cable



ASK B-M8-4 5000 K-4P

Part no. 10.06.02.00031

Connection cable

Interface Connection cable:

Fem connect M8, 4 pol

Cable length: 5000 mm

Interface Connection cable: Cable 4

Material: PUR-Cable