

Basic ejector

SBP-C 15 S02 NO A

<https://www.schmalz.com/10.02.01.00590>



Part no.: 10.02.01.00590

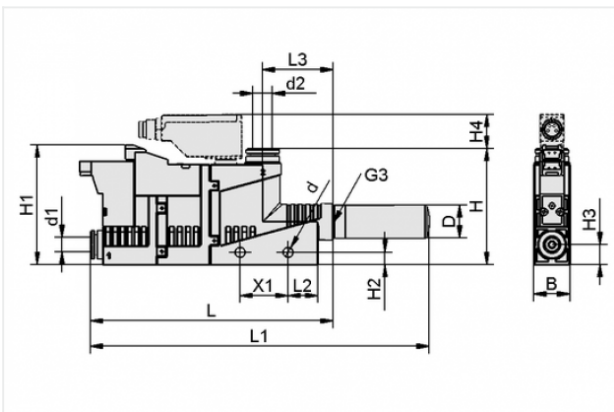
Homepage > Vacuum Technology for Automation > Vacuum Components > Vacuum Generators > Basic Ejectors > Basic Ejectors SBP-C with Additional Functions > SBP-C 15 S02 NO A

Basic ejector BASE PUMP-controlled with very light construction



Nozzle size: 1,5 mm
 Connection: Hose D6(1)-D8(2)
 Pressure optimal: 5 bar
 Suction rate (max): 71 l/min
 Air consumption (during evac.):
 118 l/min
 Control: Normally open
 Shape: Blow-off function

Design Data



Attribute	Value
B	15 mm
d	4.2 mm
d1	6 mm
d2	8 mm
D	13.5 mm
G3	G1/8"-F
H	49 mm
H1	50 mm
H2	5.2 mm
H3	8.5 mm
L	101.5 mm
L1	141.5 mm
L2	19 mm

Contact to Schmalz

J. Schmalz GmbH | Johannes-Schmalz-Straße, 72293 Glatten, Deutschland | +49 7443 2403-102 | customercenter@schmalz.de

Attribute	Value
L3	29.5 mm
X1	20 mm

Technical Data

Attribute	Value
Nozzle diameter	1.5 mm
Degree of evacuation	85 %
Suction rate (max)	4.3 m ³ /h
Suction rate (max)	71 l/min
Air consumption (during evac.)	7.1 m ³ /h
Air consumption (during evac.)	118 l/min
Noise level (free)	72 dB
Noise level (workp. gripped)	65 dB
Pressure range (operating pressure)	3.0 ... 6.0 bar
Pressure optimal	5 bar
Int. hose diameter (recom.) comp.-air	4 mm
Int. hose diameter (recom.) vacuum side	6 mm
Weight	65 g
Ambient temperature	0 ... 50 °C
Pressure range (operating pressure)	43.5 ... 87.0 psi
Pressure optimal	72.5 psi
Suction rate (max)	2.507 cfm
Air consumption (during evac.)	4.167 cfm
Air consumption (blow off)	1.059 cfm

Note:

Contact to Schmalz

- The supply voltage for vacuum switches and solenoid valves is 24 VDC
- Air consumption: On version with solenoid valves SBP-C 07 (24) / SBP-C 25 (320) and optimal operating pressure
- Hose diameter: For max. length 2 m

Spare Parts



SD G1/8-AG 14x40

Part no. 10.02.01.00540

Silencer for vacuum generators

Thread G1: G1/8-M

External diameter D: 14 mm

Length L: 40 mm

Accessories



BEF-PL 111.1x45x3 SBP

Part no. 10.02.01.00511

Mounting plate

Length L: 111.1 mm

Width B: 45 mm

Height H: 3 mm

for: Basic ejectors SBP



SET SBP M4-IG

Part no. 10.02.01.00769

Mounting set

for: Basic ejectors SBP

Type: M4-IG



ASK B-MIC10 3000 K-2P

Part no. 21.04.06.00086

Connection cable

Interface Connection cable:

Connect. 10mm

Cable length: 3000 mm

Interface Connection cable: Cable 2

Material: PUR-Cable