

# Basic ejector

## SBP-C 05 G01 NC AI VS-T

<https://www.schmalz.com/10.02.01.01005>



Part no.: 10.02.01.01005

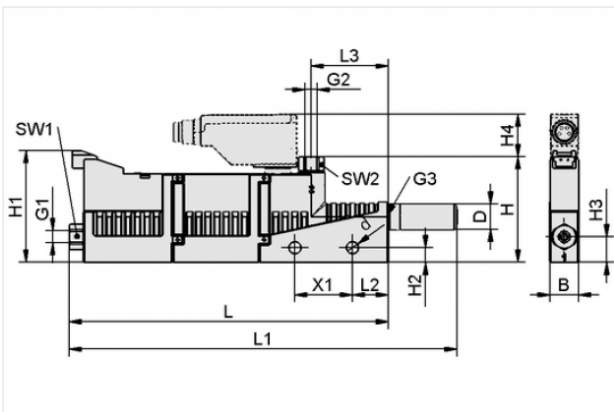
Homepage > Vacuum Technology for Automation > Vacuum Components > Vacuum Generators > Basic Ejectors > Basic Ejectors SBP-C with Additional Functions > SBP-C 05 G01 NC AI VS-T

### Basic ejector BASE PUMP-controlled with very light construction



Nozzle size: 0,5 mm  
 Connection: M5(1)-M5(2)  
 Pressure optimal: 4.5 bar  
 Suction rate (max): 7 l/min  
 Air consumption (during evac.):  
 14 l/min  
 Control: Normally closed  
 Shape: With blow-off system  
 with: electronic vacuum switch

### Design Data



Attribute	Value
B	10 mm
d	4.2 mm
D	9 mm
G1	M5-F
G2	M5-F
G3	M5-F
H	37 mm
H1	39 mm
H2	5.2 mm
H3	9 mm
H4	14.3 mm
L	111 mm
L1	135 mm

### Contact to Schmalz

J. Schmalz GmbH | Johannes-Schmalz-Straße, 72293 Glatten, Deutschland | +49 7443 2403-102 | [customercenter@schmalz.de](mailto:customercenter@schmalz.de)

Attribute	Value
L2	12.5 mm
L3	27 mm
SW1	8 mm
SW2	8 mm
X1	20 mm

## Technical Data

Attribute	Value
Nozzle diameter	0.5 mm
Degree of evacuation	85 %
Suction rate (max)	0.4 m <sup>3</sup> /h
Suction rate (max)	7 l/min
Air consumption (during evac.)	0.8 m <sup>3</sup> /h
Air consumption (during evac.)	14 l/min
Noise level (free)	58 dB
Noise level (workp. gripped)	53 dB
Pressure range (operating pressure)	3.0 ... 6.0 bar
Pressure optimal	4.5 bar
Int. hose diameter (recom.) comp.-air	2 mm
Int. hose diameter (recom.) vacuum side	2 mm
Weight	111.5 g
Ambient temperature	0 ... 50 °C
Pressure range (operating pressure)	43.5 ... 87.0 psi
Pressure optimal	65.2 psi
Suction rate (max)	0.247 cfm

### Contact to Schmalz

**Attribute****Value**

Air consumption (during evac.)

0.494 cfm

**Note:**

- The supply voltage for vacuum switches and solenoid valves is 24 VDC
- Air consumption: On version with solenoid valves SBP-C 07 (24) / SBP-C 25 (320) and optimal operating pressure
- Hose diameter: For max. length 2 m

**Spare Parts****SD M5-AG 9x24**

Part no. 10.02.01.00539

Silencer for vacuum generators

Thread G1: M5-M

External diameter D: 9 mm

Length L: 24 mm

**Accessories****BEF-PL 111.1x45x3 SBP**

Part no. 10.02.01.00511

Mounting plate

Length L: 111.1 mm

Width B: 45 mm

Height H: 3 mm

for: Basic ejectors SBP



**SET SBP M4-IG**

Part no. 10.02.01.00769

Mounting set

for: Basic ejectors SBP

Type: M4-IG



**ASK B-MIC10 3000 K-2P**

Part no. 21.04.06.00086

Connection cable

Interface Connection cable:

Connect. 10mm

Cable length: 3000 mm

Interface Connection cable: Cable 2

Material: PUR-Cable



**ASK B-M8-4 5000 K-4P**

Part no. 10.06.02.00031

Connection cable

Interface Connection cable:

Fem connect M8, 4 pol

Cable length: 5000 mm

Interface Connection cable: Cable 4

Material: PUR-Cable