

Basic ejector

SBP-C 05 G01 NC AI

<https://www.schmalz.com/10.02.01.00623>



Part no.: 10.02.01.00623

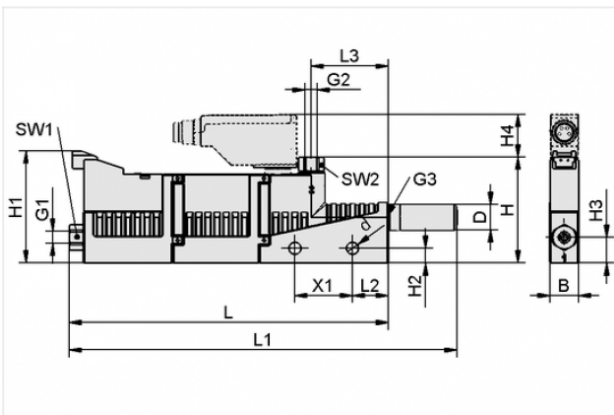
Homepage > Vacuum Technology for Automation > Vacuum Components > Vacuum Generators > Basic Ejectors > Basic Ejectors SBP-C with Additional Functions > SBP-C 05 G01 NC AI

Basic ejector BASE PUMP-controlled with very light construction



Nozzle size: 0,5 mm
 Connection: M5(1)-M5(2)
 Pressure optimal: 4.5 bar
 Suction rate (max): 7 l/min
 Air consumption (during evac.):
 14 l/min
 Control: Normally closed
 Shape: With blow-off system

Design Data



| Attribute | Value |
|-----------|---------|
| B | 10 mm |
| d | 4.2 mm |
| D | 9 mm |
| G1 | M5-F |
| G2 | M5-F |
| G3 | M5-F |
| H | 37 mm |
| H1 | 39 mm |
| H2 | 5.2 mm |
| H3 | 9 mm |
| L | 111 mm |
| L1 | 135 mm |
| L2 | 12.5 mm |

Contact to Schmalz

J. Schmalz GmbH | Johannes-Schmalz-Straße, 72293 Glatten, Deutschland | +49 7443 2403-102 | customercenter@schmalz.de

| Attribute | Value |
|-----------|-------|
| L3 | 27 mm |
| SW1 | 8 mm |
| SW2 | 8 mm |
| X1 | 20 mm |

Technical Data

| Attribute | Value |
|---|-----------------------|
| Nozzle diameter | 0.5 mm |
| Degree of evacuation | 85 % |
| Suction rate (max) | 0.4 m ³ /h |
| Suction rate (max) | 7 l/min |
| Air consumption (during evac.) | 0.8 m ³ /h |
| Air consumption (during evac.) | 14 l/min |
| Noise level (free) | 58 dB |
| Noise level (workp. gripped) | 53 dB |
| Pressure range (operating pressure) | 3.0 ... 6.0 bar |
| Pressure optimal | 4.5 bar |
| Int. hose diameter (recom.) comp.-air | 2 mm |
| Int. hose diameter (recom.) vacuum side | 2 mm |
| Weight | 35.5 g |
| Ambient temperature | 0 ... 50 °C |
| Pressure range (operating pressure) | 43.5 ... 87.0 psi |
| Pressure optimal | 65.2 psi |
| Suction rate (max) | 0.247 cfm |
| Air consumption (during evac.) | 0.494 cfm |

Contact to Schmalz

Note:

- The supply voltage for vacuum switches and solenoid valves is 24 VDC
- Air consumption: On version with solenoid valves SBP-C 07 (24) / SBP-C 25 (320) and optimal operating pressure
- Hose diameter: For max. length 2 m

Spare Parts**SD M5-AG 9x24**

Part no. 10.02.01.00539

Silencer for vacuum generators

Thread G1: M5-M

External diameter D: 9 mm

Length L: 24 mm

Accessories**BEF-PL 111.1x45x3 SBP**

Part no. 10.02.01.00511

Mounting plate

Length L: 111.1 mm

Width B: 45 mm

Height H: 3 mm

for: Basic ejectors SBP



SET SBP M4-IG

Part no. 10.02.01.00769

Mounting set

for: Basic ejectors SBP

Type: M4-IG



ASK B-MIC10 3000 K-2P

Part no. 21.04.06.00086

Connection cable

Interface Connection cable:

Connect. 10mm

Cable length: 3000 mm

Interface Connection cable: Cable 2

Material: PUR-Cable