

Basic ejector

SBP 20 S03 SDA

Part no.: 10.02.01.00567

<https://www.schmalz.com/10.02.01.00567>



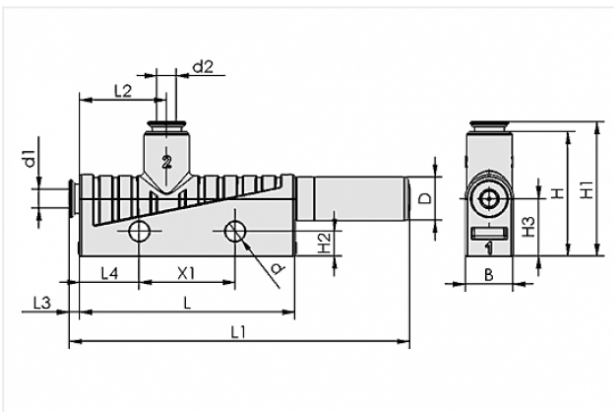
Homepage > Vacuum Technology for Automation > Vacuum Components > Vacuum Generators > Basic Ejectors > Basic Ejectors SBP > SBP 20 S03 SDA

Basic ejector for universal use



Nozzle size: 2,0 mm
 with: Axial silencer
 Degree of evacuation: 85 %
 Connection: Hose D8(1)-D10(2)
 Pressure optimal: 4.5 bar
 Suction rate (max): 127 l/min
 Air consumption (during evac.):
 197 l/min

Design Data



Attribute	Value
B	20 mm
d	4.2 mm
d1	8 mm
d2	10 mm
D	20 mm
H	39 mm
H1	45.5 mm
H2	5.2 mm
H3	17 mm
L	86.5 mm
L1	168 mm
L2	24.5 mm
L3	5.5 mm

Contact to Schmalz

J. Schmalz GmbH | Johannes-Schmalz-Straße, 72293 Glatten, Deutschland | +49 7443 2403-102 | customercenter@schmalz.de

Attribute	Value
L4	12.5 mm
X1	20 mm

Technical Data

Attribute	Value
Nozzle diameter	2 mm
Degree of evacuation	85 %
Suction rate (max)	7.6 m ³ /h
Suction rate (max)	127 l/min
Air consumption (during evac.)	11.8 m ³ /h
Air consumption (during evac.)	197 l/min
Noise level (free)	77 dB
Noise level (workp. gripped)	68 dB
Pressure range (operating pressure)	3.0 ... 6.0 bar
Pressure optimal	4.5 bar
Int. hose diameter (recom.) comp.-air	6 mm
Int. hose diameter (recom.) vacuum side	7 mm
Weight	50 g
Ambient temperature	0 ... 60 °C
Pressure range (operating pressure)	43.5 ... 87.0 psi
Pressure optimal	65.2 psi
Suction rate (max)	4.484 cfm
Air consumption (during evac.)	6.956 cfm

Note:

- Air consumption: At optimal operating pressure
- Hose diameter: For max. length 2 m

Contact to Schmalz

Spare Parts



SD G3/8-AG 20x76 SBP

Part no. 10.02.01.00719

Silencer for vacuum generators

Thread G1: G3/8-M

External diameter D: 20 mm

Length L: 76 mm

for: Basic ejectors SBP

Accessories



BEF-PL 111.1x45x3 SBP

Part no. 10.02.01.00511

Mounting plate

Length L: 111.1 mm

Width B: 45 mm

Height H: 3 mm

for: Basic ejectors SBP



SET SBP M4-IG

Part no. 10.02.01.00769

Mounting set

for: Basic ejectors SBP

Type: M4-IG

