

Basic ejector

SBP 15 G02 SDA

Part no.: 10.02.01.00602

<https://www.schmalz.com/10.02.01.00602>



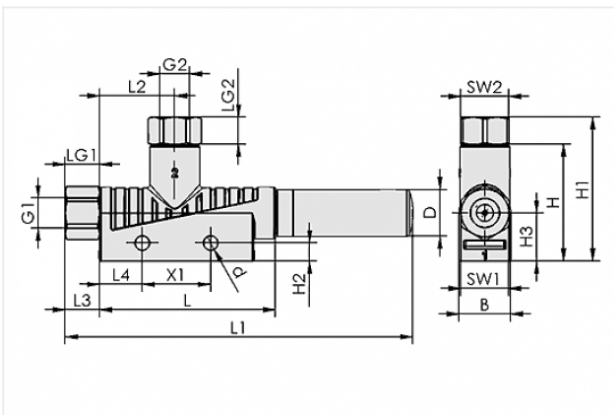
Homepage > Vacuum Technology for Automation > Vacuum Components > Vacuum Generators > Basic Ejectors > Basic Ejectors SBP > SBP 15 G02 SDA

Basic ejector for universal use



Nozzle size: 1,5 mm
 with: Axial silencer
 Degree of evacuation: 85 %
 Connection: G1/8(1)-G1/8(2)
 Pressure optimal: 4.5 bar
 Suction rate (max): 71 l/min
 Air consumption (during evac.):
 105 l/min

Design Data



Attribute	Value
B	15 mm
d	4.2 mm
D	14 mm
G1	G1/8"-F
G2	G1/8"-F
H	34 mm
H1	42 mm
H2	5.2 mm
H3	14 mm
L	51.5 mm
L1	102 mm
L2	22 mm
L3	10 mm

Contact to Schmalz

J. Schmalz GmbH | Johannes-Schmalz-Straße, 72293 Glatten, Deutschland | +49 7443 2403-102 | customercenter@schmalz.de

Attribute	Value
L4	12.5 mm
LG1	8 mm
LG2	8 mm
SW1	14 mm
SW2	14 mm
X1	20 mm

Technical Data

Attribute	Value
Nozzle diameter	1.5 mm
Degree of evacuation	85 %
Suction rate (max)	4.3 m ³ /h
Suction rate (max)	71 l/min
Air consumption (during evac.)	6.3 m ³ /h
Air consumption (during evac.)	105 l/min
Noise level (free)	72 dB
Noise level (workp. gripped)	65 dB
Pressure range (operating pressure)	3.0 ... 6.0 bar
Pressure optimal	4.5 bar
Int. hose diameter (recom.) comp.-air	4 mm
Int. hose diameter (recom.) vacuum side	6 mm
Weight	22 g
Ambient temperature	0 ... 60 °C
Pressure range (operating pressure)	43.5 ... 87.0 psi
Pressure optimal	65.2 psi

Contact to Schmalz

Attribute	Value
Suction rate (max)	2.507 cfm
Air consumption (during evac.)	3.707 cfm

Note:

- Air consumption: At optimal operating pressure
- Hose diameter: For max. length 2 m

Spare Parts



SD G1/8-AG 14x40

Part no. 10.02.01.00540
 Silencer for vacuum generators
 Thread G1: G1/8-M
 External diameter D: 14 mm
 Length L: 40 mm

Accessories



BEF-PL 111.1x45x3 SBP

Part no. 10.02.01.00511
 Mounting plate
 Length L: 111.1 mm
 Width B: 45 mm
 Height H: 3 mm
 for: Basic ejectors SBP



SET SBP M4-IG

Part no. 10.02.01.00769

Mounting set

for: Basic ejectors SBP

Type: M4-IG