

# Basic ejector

## SBP 10 G02 SDA

Part no.: 10.02.01.00601

<https://www.schmalz.com/10.02.01.00601>



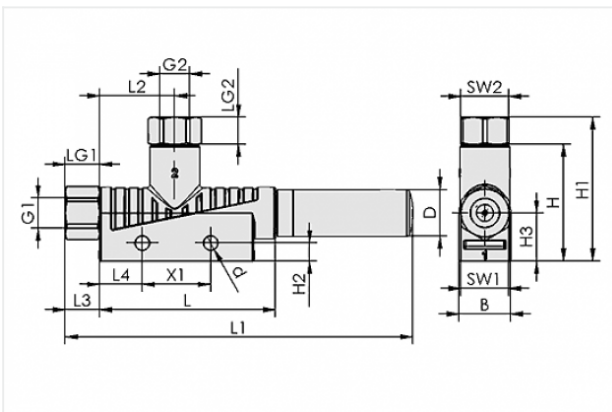
Homepage > Vacuum Technology for Automation > Vacuum Components > Vacuum Generators > Basic Ejectors > Basic Ejectors SBP > SBP 10 G02 SDA

### Basic ejector for universal use



Nozzle size: 1,0 mm  
 with: Axial silencer  
 Degree of evacuation: 85 %  
 Connection: G1/8(1)-G1/8(2)  
 Pressure optimal: 4.5 bar  
 Suction rate (max): 37.7 l/min  
 Air consumption (during evac.): 48 l/min

### Design Data



Attribute	Value
B	15 mm
d	4.2 mm
D	14 mm
G1	G1/8"-F
G2	G1/8"-F
H	34 mm
H1	42 mm
H2	5.2 mm
H3	14 mm
L	51.5 mm
L1	102 mm
L2	22 mm
L3	10 mm

### Contact to Schmalz

J. Schmalz GmbH | Johannes-Schmalz-Straße, 72293 Glatten, Deutschland | +49 7443 2403-102 | [customercenter@schmalz.de](mailto:customercenter@schmalz.de)

Attribute	Value
L4	12.5 mm
LG1	8 mm
LG2	8 mm
SW1	14 mm
SW2	14 mm
X1	20 mm

## Technical Data

Attribute	Value
Nozzle diameter	1 mm
Degree of evacuation	85 %
Suction rate (max)	2.3 m <sup>3</sup> /h
Suction rate (max)	37.7 l/min
Air consumption (during evac.)	2.9 m <sup>3</sup> /h
Air consumption (during evac.)	48 l/min
Noise level (free)	65 dB
Noise level (workp. gripped)	59 dB
Pressure range (operating pressure)	3.0 ... 6.0 bar
Pressure optimal	4.5 bar
Int. hose diameter (recom.) comp.-air	4 mm
Int. hose diameter (recom.) vacuum side	6 mm
Weight	22 g
Ambient temperature	0 ... 60 °C
Pressure range (operating pressure)	43.5 ... 87.0 psi
Pressure optimal	65.2 psi

### Contact to Schmalz

Attribute	Value
Suction rate (max)	1.331 cfm
Air consumption (during evac.)	1.695 cfm

**Note:**

- Air consumption: At optimal operating pressure
- Hose diameter: For max. length 2 m

---

## Spare Parts



**SD G1/8-AG 14x40**

Part no. 10.02.01.00540

Silencer for vacuum generators

Thread G1: G1/8-M

External diameter D: 14 mm

Length L: 40 mm

## Accessories



**BEF-PL 111.1x45x3 SBP**

Part no. 10.02.01.00511

Mounting plate

Length L: 111.1 mm

Width B: 45 mm

Height H: 3 mm

for: Basic ejectors SBP



**SET SBP M4-IG**

Part no. 10.02.01.00769

Mounting set

for: Basic ejectors SBP

Type: M4-IG