

# Basic ejector SBP 07 S01 SDA

<https://www.schmalz.com/10.02.01.00564>



Part no.: 10.02.01.00564

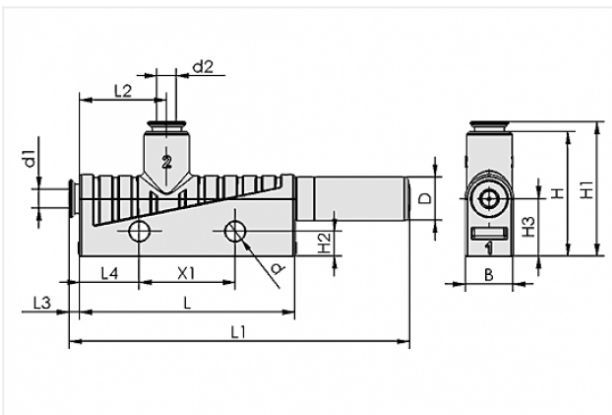
Homepage > Vacuum Technology for Automation > Vacuum Components > Vacuum Generators > Basic Ejectors > Basic Ejectors SBP > SBP 07 S01 SDA

## Basic ejector for universal use



Nozzle size: 0,7 mm  
with: Axial silencer  
Degree of evacuation: 85 %  
Connection: Hose D4(1)-D4(2)  
Pressure optimal: 4.5 bar  
Suction rate (max): 16 l/min  
Air consumption (during evac.):  
22 l/min

## Design Data



Attribute	Value
B	10 mm
d	4.2 mm
d1	4 mm
d2	4 mm
D	9 mm
H	26 mm
H1	28 mm
H2	5.2 mm
H3	12 mm
L	45 mm
L1	71 mm
L2	18 mm
L3	2 mm

### Contact to Schmalz

J. Schmalz GmbH | Johannes-Schmalz-Straße, 72293 Glatten, Deutschland | +49 7443 2403-102 | [customercenter@schmalz.de](mailto:customercenter@schmalz.de)

Attribute	Value
L4	12.5 mm
X1	20 mm

## Technical Data

Attribute	Value
Nozzle diameter	0.7 mm
Degree of evacuation	85 %
Suction rate (max)	1 m <sup>3</sup> /h
Suction rate (max)	16 l/min
Air consumption (during evac.)	1.3 m <sup>3</sup> /h
Air consumption (during evac.)	22 l/min
Noise level (free)	65 dB
Noise level (workp. gripped)	59 dB
Pressure range (operating pressure)	3.0 ... 6.0 bar
Pressure optimal	4.5 bar
Int. hose diameter (recom.) comp.-air	2 mm
Int. hose diameter (recom.) vacuum side	2 mm
Weight	7.5 g
Ambient temperature	0 ... 60 °C
Pressure range (operating pressure)	43.5 ... 87.0 psi
Pressure optimal	65.2 psi
Suction rate (max)	0.565 cfm
Air consumption (during evac.)	0.776 cfm

### Note:

- Air consumption: At optimal operating pressure
- Hose diameter: For max. length 2 m

### Contact to Schmalz

## Spare Parts



### **SD M5-AG 9x24**

Part no. 10.02.01.00539

Silencer for vacuum generators

Thread G1: M5-M

External diameter D: 9 mm

Length L: 24 mm

## Accessories



### **BEF-PL 111.1x45x3 SBP**

Part no. 10.02.01.00511

Mounting plate

Length L: 111.1 mm

Width B: 45 mm

Height H: 3 mm

for: Basic ejectors SBP



### **SET SBP M4-IG**

Part no. 10.02.01.00769

Mounting set

for: Basic ejectors SBP

Type: M4-IG

