

Basic ejector

SBP 07 G01 SDA

Part no.: 10.02.01.00600

<https://www.schmalz.com/10.02.01.00600>



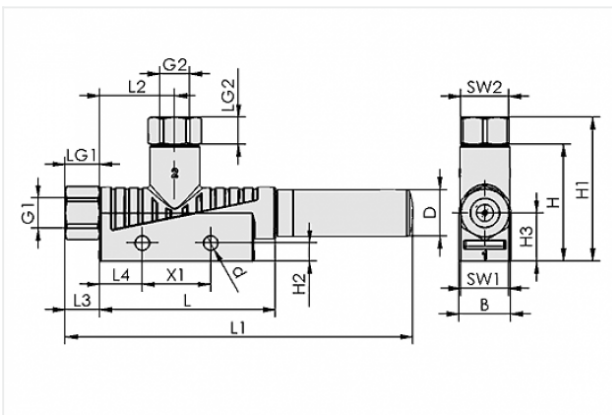
Homepage > Vacuum Technology for Automation > Vacuum Components > Vacuum Generators > Basic Ejectors > Basic Ejectors SBP > SBP 07 G01 SDA

Basic ejector for universal use



Nozzle size: 0,7 mm
 with: Axial silencer
 Degree of evacuation: 85 %
 Connection: M5(1)-M5(2)
 Pressure optimal: 4.5 bar
 Suction rate (max): 16 l/min
 Air consumption (during evac.): 22 l/min

Design Data



Attribute	Value
B	10 mm
d	4.2 mm
D	9 mm
G1	M5-F
G2	M5-F
H	26 mm
H1	31 mm
H2	5.2 mm
H3	12 mm
L	45 mm
L1	74 mm
L2	18 mm
L3	5 mm

Contact to Schmalz

J. Schmalz GmbH | Johannes-Schmalz-Straße, 72293 Glatten, Deutschland | +49 7443 2403-102 | customercenter@schmalz.de

Attribute	Value
L4	12.5 mm
LG1	5 mm
LG2	5 mm
SW1	8 mm
SW2	8 mm
X1	20 mm

Technical Data

Attribute	Value
Nozzle diameter	0.7 mm
Degree of evacuation	85 %
Suction rate (max)	1 m ³ /h
Suction rate (max)	16 l/min
Air consumption (during evac.)	1.3 m ³ /h
Air consumption (during evac.)	22 l/min
Noise level (free)	65 dB
Noise level (workp. gripped)	59 dB
Pressure range (operating pressure)	3.0 ... 6.0 bar
Pressure optimal	4.5 bar
Int. hose diameter (recom.) comp.-air	2 mm
Int. hose diameter (recom.) vacuum side	2 mm
Weight	7.5 g
Ambient temperature	0 ... 60 °C
Pressure range (operating pressure)	43.5 ... 87.0 psi
Pressure optimal	65.2 psi

Contact to Schmalz

Attribute	Value
Suction rate (max)	0.565 cfm
Air consumption (during evac.)	0.776 cfm

Note:

- Air consumption: At optimal operating pressure
- Hose diameter: For max. length 2 m

Spare Parts



SD M5-AG 9x24
 Part no. 10.02.01.00539
 Silencer for vacuum generators
 Thread G1: M5-M
 External diameter D: 9 mm
 Length L: 24 mm

Accessories



BEF-PL 111.1x45x3 SBP
 Part no. 10.02.01.00511
 Mounting plate
 Length L: 111.1 mm
 Width B: 45 mm
 Height H: 3 mm
 for: Basic ejectors SBP



SET SBP M4-IG

Part no. 10.02.01.00769

Mounting set

for: Basic ejectors SBP

Type: M4-IG