

Basic ejector

SBP 05 S01 SDA

Part no.: 10.02.01.00563

<https://www.schmalz.com/10.02.01.00563>



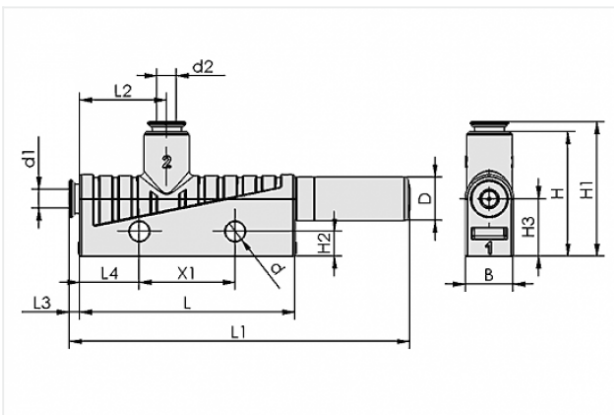
Homepage > Vacuum Technology for Automation > Vacuum Components > Vacuum Generators > Basic Ejectors > Basic Ejectors SBP > SBP 05 S01 SDA

Basic ejector for universal use



Nozzle size: 0,5 mm
 with: Axial silencer
 Degree of evacuation: 85 %
 Connection: Hose D4(1)-D4(2)
 Pressure optimal: 4.5 bar
 Suction rate (max): 8 l/min
 Air consumption (during evac.):
 13.5 l/min

Design Data



Attribute	Value
B	10 mm
d	4.2 mm
d1	4 mm
d2	4 mm
D	9 mm
H	26 mm
H1	28 mm
H2	5.2 mm
H3	12 mm
L	45 mm
L1	71 mm
L2	18 mm
L3	2 mm

Contact to Schmalz

J. Schmalz GmbH | Johannes-Schmalz-Straße, 72293 Glatten, Deutschland | +49 7443 2403-102 | customercenter@schmalz.de

Attribute	Value
L4	12.5 mm
X1	20 mm

Technical Data

Attribute	Value
Nozzle diameter	0.5 mm
Degree of evacuation	85 %
Suction rate (max)	0.5 m ³ /h
Suction rate (max)	8 l/min
Air consumption (during evac.)	0.8 m ³ /h
Air consumption (during evac.)	13.5 l/min
Noise level (free)	58 dB
Noise level (workp. gripped)	53 dB
Pressure range (operating pressure)	3.0 ... 6.0 bar
Pressure optimal	4.5 bar
Int. hose diameter (recom.) comp.-air	2 mm
Int. hose diameter (recom.) vacuum side	2 mm
Weight	7.5 g
Ambient temperature	0 ... 60 °C
Pressure range (operating pressure)	43.5 ... 87.0 psi
Pressure optimal	65.2 psi
Suction rate (max)	0.282 cfm
Air consumption (during evac.)	0.476 cfm

Note:

- Air consumption: At optimal operating pressure
- Hose diameter: For max. length 2 m

Contact to Schmalz

Spare Parts



SD M5-AG 9x24

Part no. 10.02.01.00539

Silencer for vacuum generators

Thread G1: M5-M

External diameter D: 9 mm

Length L: 24 mm

Accessories



BEF-PL 111.1x45x3 SBP

Part no. 10.02.01.00511

Mounting plate

Length L: 111.1 mm

Width B: 45 mm

Height H: 3 mm

for: Basic ejectors SBP



SET SBP M4-IG

Part no. 10.02.01.00769

Mounting set

for: Basic ejectors SBP

Type: M4-IG

