

Basic ejector

SEG 30 LS

<https://www.schmalz.com/10.02.01.00260>



Part no.: 10.02.01.00260

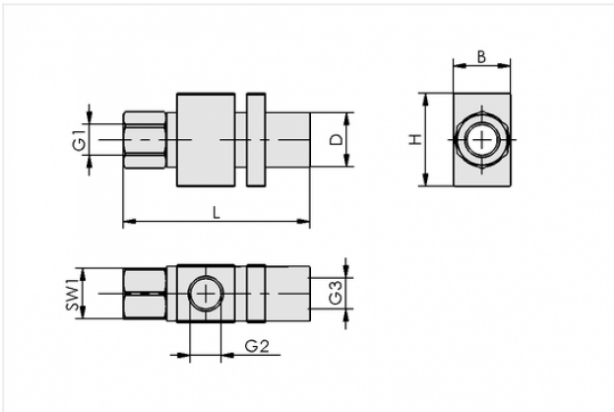
Homepage > Vacuum Technology for Automation > Vacuum Components > Vacuum Generators > Basic Ejectors > Basic Ejectors SEG > SEG 30 LS

Basic ejector with robust housing for universal use



Nozzle size: 3,0 mm
Shape: For high suction capacity
Suction rate (max): 370 l/min
Air consumption (during evac.):
392 l/min

Design Data



Attribute	Value
-----------	-------

B	42 mm
D	32 mm
G1	G3/8"-F
G2	G1/2"-F
G3	G3/4"-F
H	50 mm
L	127 mm
SW1	22 mm

Technical Data

Contact to Schmalz

J. Schmalz GmbH | Johannes-Schmalz-Straße, 72293 Glatten, Deutschland | +49 7443 2403-102 | customercenter@schmalz.de

Attribute	Value
Nozzle diameter	3 mm
Degree of evacuation	55 %
Suction rate (max)	370 l/min
Suction rate (max)	22.2 m ³ /h
Suction rate (max)	13.066 cfm
Air consumption (during evac.)	392 l/min
Air consumption (during evac.)	23.5 m ³ /h
Air consumption (during evac.)	13.843 cfm
Pressure range (operating pressure)	3.0 ... 6.0 bar
Pressure range (operating pressure)	43.5 ... 87.0 psi
Pressure optimal	5 bar
Pressure optimal	72.5 psi
Int. hose diameter (recom.) comp.-air	6 mm
Int. hose diameter (recom.) vacuum side	12 mm
Weight	352 g
Ambient temperature	-10 ... 80 °C

Note:

- Air consumption: At optimal operating pressure
- Hose diameter: For max. length 2 m