

Basic ejector SEG 25 HS

<https://www.schmalz.com/10.02.01.00257>



Part no.: 10.02.01.00257

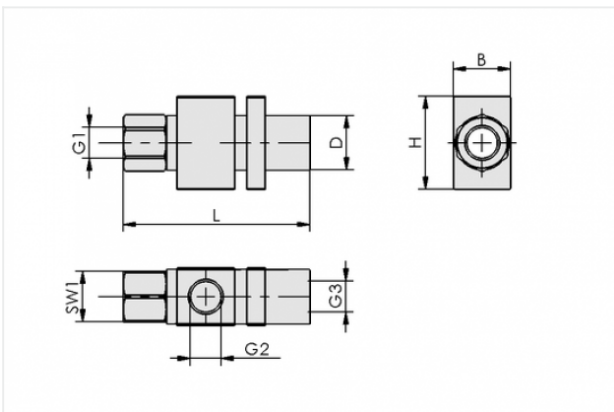
Homepage > Vacuum Technology for Automation > Vacuum Components > Vacuum Generators > Basic Ejectors > Basic Ejectors SEG > SEG 25 HS

Basic ejector with robust housing for universal use



Nozzle size: 2,5 mm
Shape: For high vacuum
Suction rate (max): 184 l/min
Air consumption (during evac.):
275 l/min

Design Data



Attribute	Value
-----------	-------

B	32 mm
D	28 mm
G1	G3/8"-F
G2	G1/2"-F
G3	G1/2"-F
H	50 mm
L	117 mm
SW1	22 mm

Technical Data

Contact to Schmalz

J. Schmalz GmbH | Johannes-Schmalz-Straße, 72293 Glatten, Deutschland | +49 7443 2403-102 | customercenter@schmalz.de

Attribute	Value
Nozzle diameter	2.5 mm
Degree of evacuation	85 %
Suction rate (max)	184 l/min
Suction rate (max)	11 m ³ /h
Suction rate (max)	6.497 cfm
Air consumption (during evac.)	275 l/min
Air consumption (during evac.)	16.5 m ³ /h
Air consumption (during evac.)	9.711 cfm
Pressure range (operating pressure)	3.0 ... 6.0 bar
Pressure range (operating pressure)	43.5 ... 87.0 psi
Pressure optimal	5 bar
Pressure optimal	72.5 psi
Int. hose diameter (recom.) comp.-air	6 mm
Int. hose diameter (recom.) vacuum side	12 mm
Weight	273 g
Ambient temperature	-10 ... 80 °C

Note:

- Air consumption: At optimal operating pressure
- Hose diameter: For max. length 2 m