

Basic ejector

SEG 15 HS

<https://www.schmalz.com/10.02.01.00248>



Part no.: 10.02.01.00248

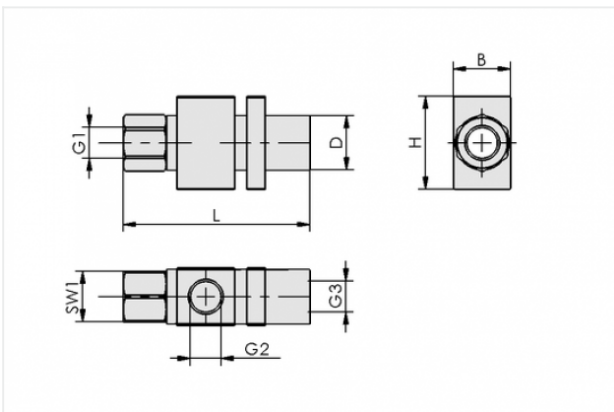
Homepage > Vacuum Technology for Automation > Vacuum Components > Vacuum Generators > Basic Ejectors > Basic Ejectors SEG > SEG 15 HS

Basic ejector with robust housing for universal use



Nozzle size: 1,5 mm
Shape: For high vacuum
Suction rate (max): 69 l/min
Air consumption (during evac.):
102 l/min

Design Data



Attribute	Value
-----------	-------

B	22 mm
D	20 mm
G1	G1/4"-F
G2	G1/4"-F
G3	G1/4"-F
H	38 mm
L	75 mm
SW1	17 mm

Technical Data

Contact to Schmalz

J. Schmalz GmbH | Johannes-Schmalz-Straße, 72293 Glatten, Deutschland | +49 7443 2403-102 | customercenter@schmalz.de

Attribute	Value
Nozzle diameter	1.5 mm
Degree of evacuation	85 %
Suction rate (max)	69 l/min
Suction rate (max)	4.1 m ³ /h
Air consumption (during evac.)	102 l/min
Air consumption (during evac.)	6.1 m ³ /h
Pressure range (operating pressure)	3.0 ... 6.0 bar
Pressure range (operating pressure)	43.5 ... 87.0 psi
Pressure optimal	5 bar
Pressure optimal	72.5 psi
Int. hose diameter (recom.) comp.-air	4 mm
Int. hose diameter (recom.) vacuum side	6 mm
Weight	102 g
Ambient temperature	-10 ... 80 °C

Note:

- Air consumption: At optimal operating pressure
- Hose diameter: For max. length 2 m